

CONTROL MODES

- Position (Microstepping)
- Position/Velocity/Torque (Servo Mode)
- Indexer, Point-to-Point, PVT
- Camming, Gearing

COMMAND INTERFACE

- CANopen
- ASCII and discrete I/O
- Stepper commands
- ±10V or PWM velocity/torque (servo mode)
- Master encoder (Gearing/Camming)

COMMUNICATIONS

- CANopen
- RS-232

FEEDBACK

Incremental

- Digital quad A/B encoder

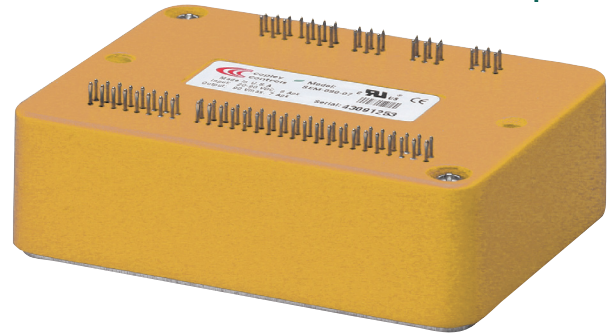
I/O

- Digital: 14 inputs, 6 outputs
- Analog: 1 input

DIMENSIONS: MM [IN]

- 76.3 x 58.2 x 20.5
[3.01 x 2.29 x 0.81]

CANopen[®]



Model	Ic	Ip	Vdc
R52-090-07	5	7	14~90
R52-090-10	10	10	14~90

DESCRIPTION

Stepnet R52 is a high-performance, DC powered driver for control of stepper motors via CANopen. The *R52* operates as a *CANopen* node using DSP-402 for motion control devices. Supported modes include: Profile Position, Profile Velocity, Interpolated Position Mode (PVT), and Homing.

With encoder feedback a stepper can be operated as a brushless servo motor enabling ±10V analog or digital PWM velocity or torque control in addition to CANopen. Direct position control from pulses in CW/CCW, Pulse/Dir, or Quad A/B encoder format works in either microstepping or servo modes.

Twelve high-speed digital inputs with programmable functions are provided, and a lower-speed input for a motor temperature switch.

An SLI (Serial Peripheral Interface) function is supported by another high-speed input and four high-speed digital outputs. If not used for SLI, the input and outputs are programmable for other functions. Two open-drain MOSFET can drive loads powered up to 24 Vdc.

An RS-232 serial port provides a connection to Copley's CME2 software for commissioning, firmware upgrading, and saving configurations to flash memory.

Drive power is transformer-isolated DC from regulated or unregulated power supplies. An AuxHV input is provided for "keep-alive" operation permitting the drive power stage to be completely powered down without losing position information, or communications with the control system.

RUGGEDIZED STANDARDS CONFORMANCE

Ambient Temperature	Non-Operating	-50°C to 85°C
	Operating	-40°C to 70°C
Thermal Shock	Operating	-40°C to 70°C in 1 minute
Relative Humidity	Non-Operating	95% non-condensing at 60°C
	Operating	95% non-condensing at 60°C
Vibration	Operating	5 Hz to 500 Hz, up to 3.85 grms
Altitude	Non-Operating	-400 m to 12,200 m
	Operating	-400 m to 5,000 m
Shock	Crash Safety	75 g peak acceleration
	Operating	40 g peak acceleration
MIL-STD specifications	MIL-STD-	461, 704, 810, 1275, 1399
IEC specifications	IEC-	60068, 60079

GENERAL SPECIFICATIONS

Test conditions: Load = Bipolar stepper: 2 mH + 2 Ω per phase. Ambient temperature = 25°C, +HV = HV_{max}

MODEL	R52-090-07	R52-090-10	
OUTPUT POWER			
Peak Current	7 (5)	10 (7.1)	Adc (Arms-sine), ±5%
Peak time	1	1	Sec
Continuous current	5 (3.5)	10 (7.1)	Adc (Arms-sine) per phase
Maximum Output Voltage			Vout = HV*0.97 - Rout*Iout
INPUT POWER			
HVmin~HVmax	+14 to +90	+14 to +90	Vdc Transformer-isolated
Ipeak	7.7	11	Adc (1 sec) peak
Icont	5.5	11	Adc continuous
Aux HV	+14 to +HV Vdc @ 500 mAdc maximum, 2.5 W		
PWM OUTPUTS			
Type	Dual H-bridge MOSFET , 16 kHz center-weighted PWM, space-vector modulation		
PWM ripple frequency	32 kHz		
CONTROL MODES			
CANopen:	Microstepping: Profile Position-Velocity, Interpolated Position (PVT), Homing		
Servo mode:	all of the microstepping modes, plus Cyclic Synchronous Torque (CST) mode		
Analog ±10 Vdc current/velocity (servo mode),	camming, internal indexer and function generator		
Digital PWM/Polarity current/velocity (servo mode),	CW/CCW, Step/Direction, and quad A/B encoder position commands		
COMMAND INPUTS			
Type	CANopen, galvanically isolated from drive circuits		
Signals	CAN_H, CAN_L, CAN_GND		
Data protocol	CANopen Device Profile DSP-402		
Node-ID Selection	Programmable, or via digital inputs		
Analog	±10 Vdc		
Digital	High speed inputs for CW/CCW, Step/Direction, and quad A/B encoder		
Camming	Quad A/B digital encoder		
DIGITAL CONTROL			
Digital Control Loops	Current, velocity, position. 100% digital loop control		
Sampling rate (time)	Current loop: 16 kHz (62.5 μs), Velocity & position loops: 4 kHz (250 μs)		
Commutation	Sinusoidal, field-oriented control		
Modulation	Center-weighted PWM with space-vector modulation		
Bandwidths	Current loop: 2.5 kHz typical, bandwidth will vary with tuning & load inductance		
HV Compensation	Changes in bus voltage do not a effect bandwidth		
Minimum load inductance	200 μH line-line		
DIGITAL INPUTS			
[IN1~9]	High-speed digital, 100 ns RC filter, 10 kΩ pull-up to +5 Vdc, +7 Vdc tolerant		
[IN10]	74AHC14 Schmitt trigger, V _{T+} = 3.5 Vdc max, V _{T-} = 1.5 Vdc min, V _{H+} = 0.45~1.50 Vdc		
[IN11]	SLI port MISO input, 47 ns RC filter, 10 kΩ pull-up to +5 Vdc, +7 Vdc tolerant		
[IN12~14]	74LVC2G14 Schmitt trigger, V _{T+} = 2.05~3.35 Vdc, V _{T-} = 1.1~2.15 Vdc, V _{H+} = 0.65~1.6 Vdc		
	Motor temperature switch, 330 μs RC filter, 4.99 kΩ pull-up to +5 Vdc, +24V tolerant		
	74LVC2G14 Schmitt trigger, V _{T+} = 2.05~3.35 Vdc, V _{T-} = 1.1~2.15 Vdc, V _{H+} = 0.65~1.6 Vdc		
	GP inputs, 1.5 μs RC filter, 15 kΩ pull-up to +5 Vdc, +24 Vdc tolerant		
	74AHC14 Schmitt trigger, V _{T+} = 3.5 Vdc max, V _{T-} = 1.5 Vdc min, V _{H+} = 0.45~1.50 Vdc		
DIGITAL OUTPUTS			
[OUT1~2]	Open-drain MOSFET with 1 kΩ pull-up with series diode to +5 Vdc		
	300 mAdc max, +30 Vdc max. Functions programmable		
[OUT3~6]	SLI port MOSI, SCLK, SS1, & SS2 signals, 74AHCT125 line drivers; +5 Vdc tolerant		
ANALOG INPUT			
Type	±10 Vdc, 12-bit resolution, differential		
FEEDBACK			
<i>Incremental:</i>			
Digital Incremental Encoder	Quadrature signals, (A, /A, B, /B, X, /X), differential (X, /X Index signals not required)		
	5 MHz maximum line frequency (20 M counts/sec)		
	26LS32 differential line receiver with 121 Ω terminating resistor between complementary inputs		
Encoder power	+5 Vdc ±2% @ 400 mAdc max, protected against shorts and overtemperature		

RS-232 PORT

Signals	RxD, TxD, Gnd for operation as a DTE device
Mode	Full-duplex, DTE serial port for drive setup and control, 9,600 to 115,200 Baud
Protocol	ASCII or Binary format

MOTOR CONNECTIONS

Phases A, /A, B, /B	PWM outputs to 2-phase, 4-wire bipolar stepper motors
Digital Incremental Encoder	Quadrature signals, (A, /A, B, /B, X, /X), differential (X, /X Index signals not required) 5 MHz maximum line frequency (20 M counts/sec)
Encoder power	+5 Vdc \pm 2% @ 400 mAdc max
Motemp [IN11]	Motor overtemperature switch input. Active level programmable Programmable to disable drive when motor over-temperature condition occurs

PROTECTIONS

HV Overvoltage	+HV > HV _{max}	Drive outputs turn off until +HV < HV _{max} (See Input Power for HV _{max})
HV Undervoltage	+HV < +14 Vdc	Drive outputs turn off until +HV > +14 Vdc
Drive over temperature	Heat plate > 80°C.	Drive outputs turn off
Short circuits	Output to output, output to ground, internal PWM bridge faults	
I ² T Current limiting	Programmable: continuous current, peak current, peak time	
Motor over temperature	Digital inputs programmable to detect motor temperature switch	
Feedback Loss	Inadequate analog encoder amplitude or missing incremental encoder signals	

MECHANICAL & ENVIRONMENTAL

Size mm [in]	76.3 x 58.2 x 20.5 [3.01 x 2.29 x 0.81]
Weight	0.27 lb (0.12 kg) without heatsink
Ambient temperature	-40 to +70°C operating, -50 to +85°C storage
Humidity	0 to 95%, non-condensing, operating or storage
Vibration	3.85 grms, 5~500 Hz (sine)
Altitude	-400 to 12,200 m non-operating, -400 to 5,000 m operating
Shock	75 g peak crash safety, 40 g peak operating
Contaminants	Pollution degree 2
Environment	IEC68-2: 1990
Cooling	Heat sink and/or forced air cooling required for continuous power output

AGENCY STANDARDS CONFORMANCE

In accordance with EC Directive 2014/30/EU (EMC Directive)

EN 55011: 2009/A1:2010	CISPR 11:2009/A1:2010 Industrial, Scientific, and Medical (ISM) Radio Frequency Equipment – Electromagnetic Disturbance Characteristics – Limits and Methods of Measurement Group 1, Class A
EN 61000-6-1: 2007	Electromagnetic Compatibility (EMC) – Part 6-1: Generic Standards – Immunity for residential, Commercial and Light-Industrial Environments

In accordance with EC Directive 2014/35/EU (Low Voltage Directive)

IEC 61010-1:2010	Safety Requirements for Electrical Equipment for Measurement, Control and Laboratory Use
------------------	--

Underwriters Laboratory Standards

UL 61010-1, 3rd Ed.: 2012	Electrical Equipment for Measurement, Control and Laboratory Use; Part 1: General Requirements
---------------------------	---

UL File Number E249894

COMMAND INPUTS

CANOPEN

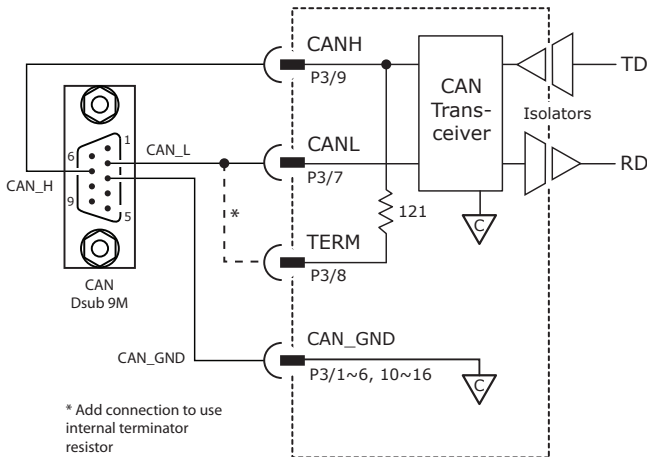
Based on the CAN V2.0b physical layer, a robust, two-wire communication bus originally designed for automotive use where low-cost and noise-immunity are essential, CANOpen adds support for motion-control devices and command synchronization. The result is a highly effective combination of data-rate and low cost for multi-axis motion control systems. Device synchronization enables multiple axes to coordinate moves as if they were driven from a single control card.

CANOPEN COMMUNICATION

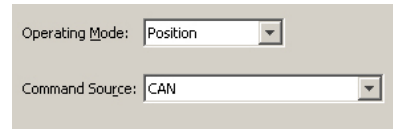
R52 uses the CAN physical layer signals CANH, CANL, and GND for connection, and CANOpen protocol for communication. Before installing the drive in a CAN system, it must be assigned a CAN Node-ID (address) . A maximum of 127 CAN nodes are allowed on a single CAN bus. Up to seven digital inputs can be used to produce CAN Node-IDs from 1~127, or the Node-IDs can be saved to flash memory in the module. Node-IDs 0 is reserved for the CANopen master on the network. For more information on CANopen communications, download the CANopen Manual from the Copley web-site: CANopen Manual

DIGITAL COMMAND INPUTS

The graphic below shows connections between the R52 and a Dsub 9M connector on a CAN card. If the R52 is the last node on a CAN bus, the internal terminator resistor can be used by adding a connection on the PC board as shown. The Node-IDs of the R52 may be set by using digital inputs, or programmed into flash memory in the drive.



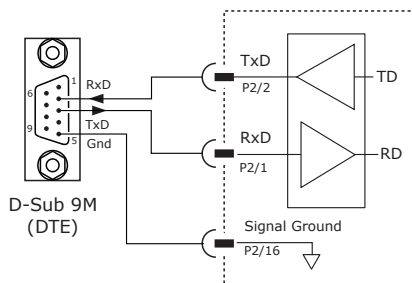
CME2 -> Basic Setup -> Operating Mode Options



RS-232 COMMUNICATIONS

R52 is configured via a three-wire, full-duplex DTE RS-232 port that operates from 9600 to 115,200 Baud, 8 bits, no parity, and one stop bit. Signal format is full-duplex, 3-wire, DTE using Rx/D, Tx/D, and Gnd. Connections to the R52 RS-232 port are through P2 The graphic below shows the connections between an R52 and a computer COM port which is a DTE device.

RS232 PORT



CME2 -> Tools -> Communications Wizard

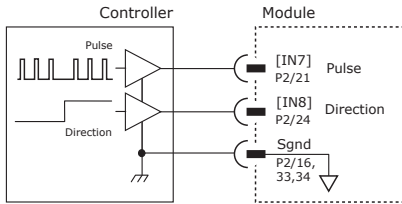


COMMAND INPUTS

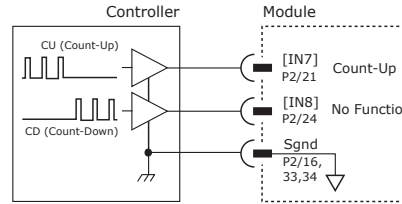
DIGITAL POSITION

Digital position commands can be in three formats: Pulse & Direction, Count-Up/Count-Down (CU/CD), and quad A/B encoder. The active edge of the waveforms is programmable and the ratio of input pulses to motor microsteps is programmable, too. The Invert Command selection will reverse the direction of motion commanded by the inputs without changing the wiring.

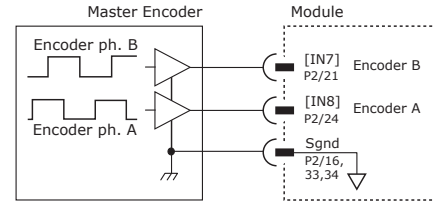
PULSE & DIRECTION



CU/CD

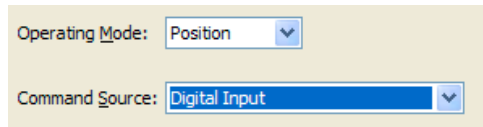


QUAD A/B ENCODER



CME2 -> Basic Setup -> Operating Mode Options

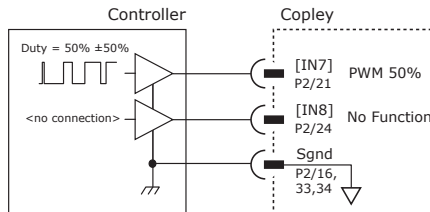
CME2 -> Basic Setup -> Operating Mode Options



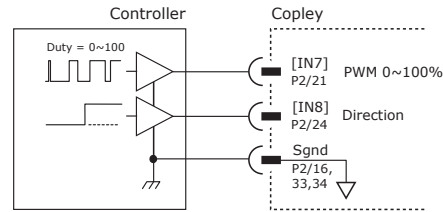
DIGITAL VELOCITY

Digital velocity commands are PWM signals in two formats: PWM 50% is a single signal that commands 0 at 50% duty cycle, with increasing or decreasing duty cycle to command positive or negative values. PWM & Direction format uses a PWM signal that goes from 0% to 100% to command magnitude while a 0/1 at the Dir input commands direction.

PWM 50%

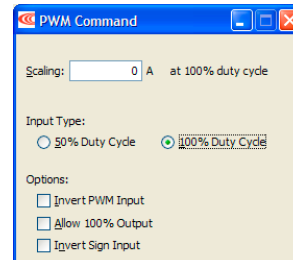
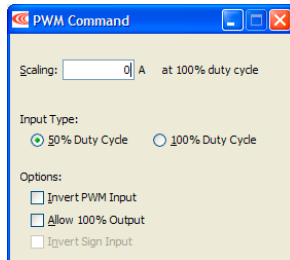


PWM & DIRECTION



CME2 -> PWM Command block

CME2 -> PWM Command block



DIGITAL COMMAND FAIL-SAFE

In the position and velocity modes above, the 0% and 100% conditions can be programmed to command zero output. This is to protect against conditions that can occur with broken or disconnected cables which might produce uncontrolled motion.

SERVO MODE

Servo mode operates a stepper like a brushless servo motor taking position feedback from an encoder and controlling position, velocity, or torque. Command inputs include all of the digital inputs and modes as well as the $\pm 10V$ analog input which can control position, velocity, and current.

ANALOG COMMAND INPUT

In addition to the digital position and velocity inputs on the preceding page, the analog input can be used to control position, velocity, and torque.

CME2 -> Basic Setup -> Feedback Options

Motor Encoder:

Differential Single Ended

Run in Servo Mode

CME2 -> Basic Setup -> Operating Mode Options

Operating Mode:

Command Source:

CME2 -> Basic Setup -> Operating Mode Options

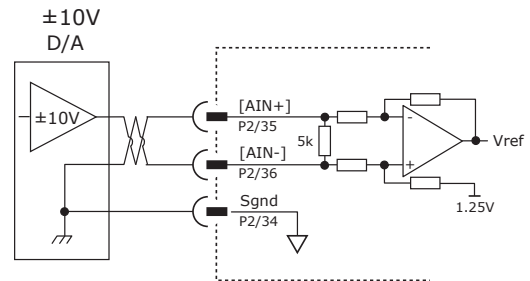
Command Source:

CME2 -> Main Page -> Analog Command block

Scaling: counts = 10V

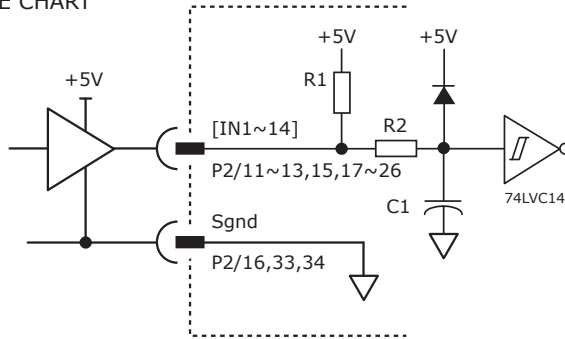
Dead Band: mV

Invert Command



INPUT-OUTPUT

HIGH SPEED DIGITAL INPUTS
VIN TOLERANCE SEE CHART

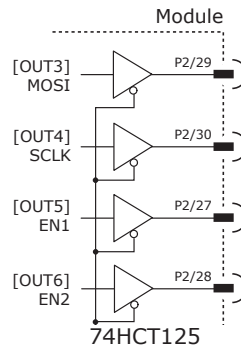
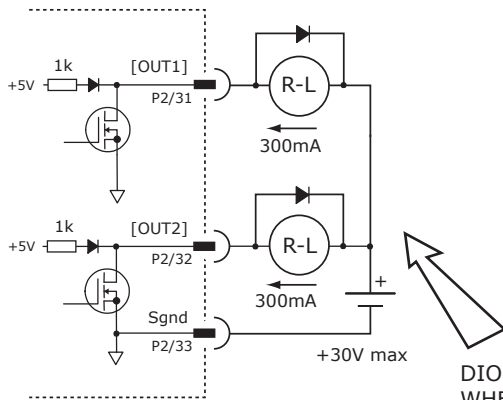


INPUT	P2 PIN	R1	R2	C1	VIN
IN1	15	10K	1K	100P	7V
IN2	18				
IN3	17				
IN4	20				
IN5	19				
IN6	22				
IN7	21				
IN8	24				
IN9	23				
IN10	26				
IN11	25	4.99K	10K	33N	24
IN12	11	15K	15K	100P	
IN13	13				
IN14	12				

DIGITAL OUTPUTS

VOUT MAX (SEE CHART)

5V MAX



OUTPUT	P2 PIN	VOUT
OUT1	31	30
OUT2	32	
OUT3	29	5
OUT4	30	
OUT5	27	
OUT6	28	

DIODES SHOWN ON OUTPUTS MUST BE SUPPLIED WHEN DRIVING INDUCTIVE LOADS.

CANOPEN NODE-ID (ADDRESS) SWITCHES

The SLI (Switch & LED Interface) port takes in the 8 signals from the two BCD encoded switches that set the CANopen Node-IDs and controls the LEDs on the CANopen port connectors.

The graphic below shows the circuit for reading the CANopen Node-ID switches.

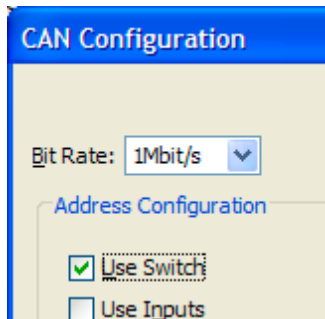
The 74HC165 works as a parallel-in/serial-out device.

The 10k pull-down resistors pull the shift register inputs to ground when the R52 is initializing.

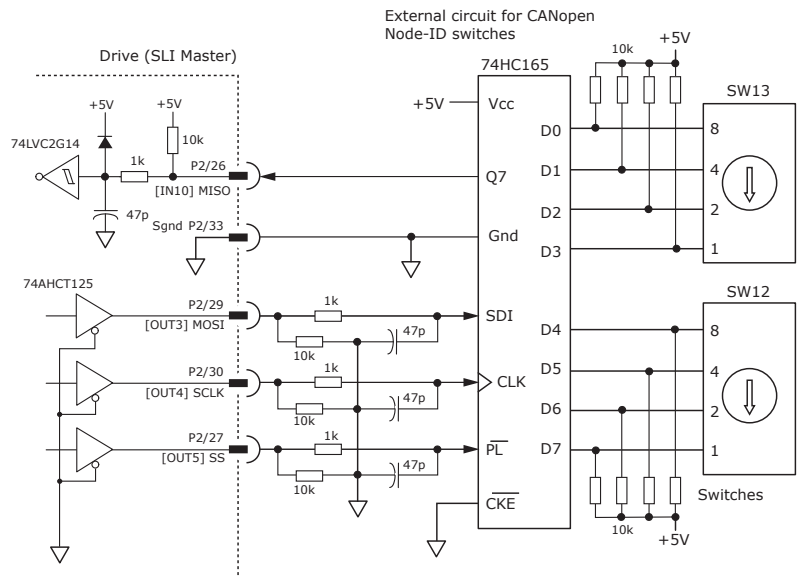
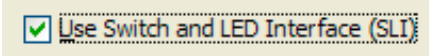
In the graphics below, switch SW13 is "S2" and SW12 is "S1". The values of S1 are 16~255 and of S2 are 0~15.

Together they provide Node-ID range of 0~255.

CME2 -> Amplifier -> Network Configuration



CME2 -> Input/Output -> Digital Outputs



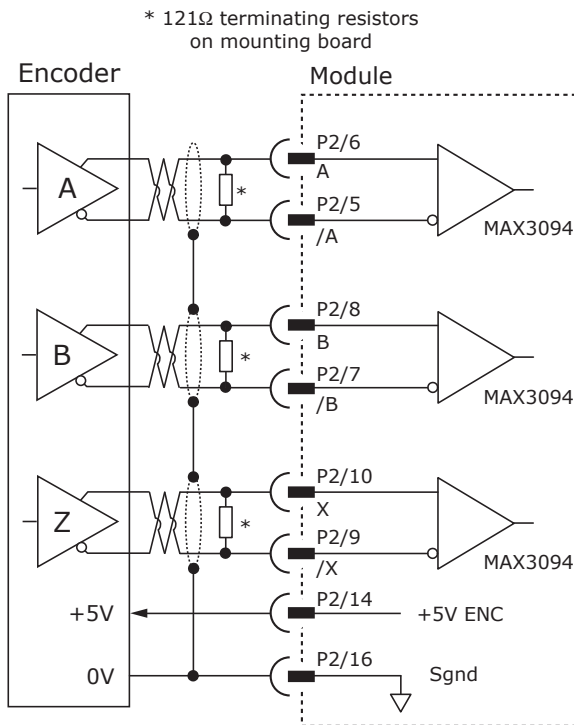
MOTOR CONNECTIONS

Motor connections consist of: phases, encoder, thermal sensor, and brake. The phase connections carry the drive output currents that drive the motor to produce motion. The Hall signals are three digital signals that give absolute position feedback within an electrical commutation cycle. The encoder signals give incremental position feedback and are used for velocity and position modes, as well as sinusoidal commutation. A thermal sensor that indicates motor overtemperature is used to shut down the drive to protect the motor. A brake can provide a fail-safe way to prevent movement of the motor when the drive is shut-down or disabled.

QUAD A/B INCREMENTAL ENCODER

Encoders with differential line-driver outputs provide incremental position feedback via the A/B signals and the optional index signal (X) gives a once per revolution position mark.

DIGITAL QUADRATURE ENCODER INPUT



CME2 -> Motor/Feedback -> Feedback

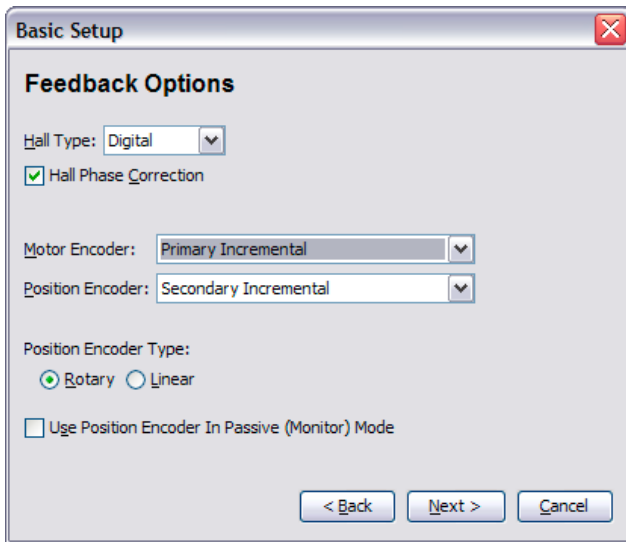
Motor Encoder:

MOTOR CONNECTIONS (CONT'D)

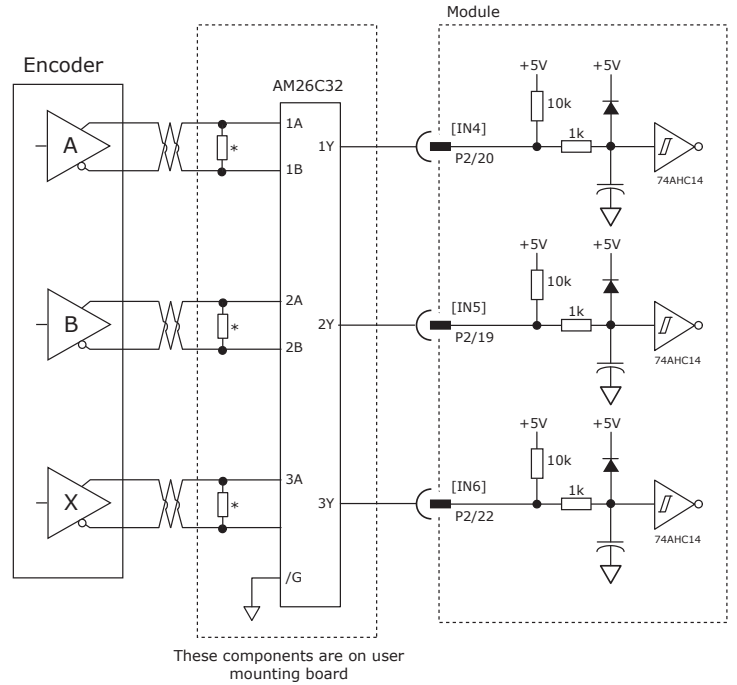
SECONDARY QUAD A/B/X INCREMENTAL ENCODER

Digital inputs [IN4,5,6] can be programmed as secondary encoder inputs. The graphic shows a differential line receiver on the user mounting board to convert typical encoder signals into single-ended ones for the secondary inputs. Single-ended encoders would connect directly to the inputs of the R52.

CME2 -> Basic Setup -> Feedback Options



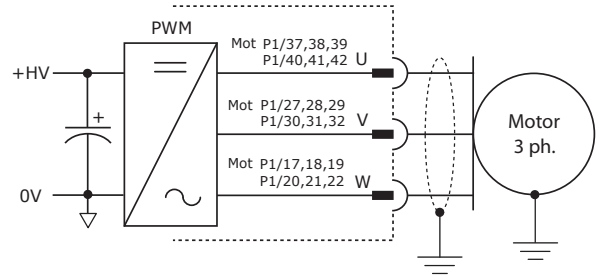
The CME2 screen above shows a Primary Incremental encoder for the motor input. Other types of encoders can be selected for this function. The secondary encoder input can be used for either motor or position feedback.



MOTOR CONNECTIONS (CONT'D)

PHASE CONNECTIONS

The drive output is a three-phase PWM inverter that converts the DC bus voltage (+HV) into three sinusoidal voltage waveforms that drive the motor phase-coils. Cable should be sized for the continuous current rating of the drive. Motor cabling should use twisted, shielded conductors for CE compliance, and to minimize PWM noise coupling into other circuits. The motor cable shield should connect to motor frame and the drive HV ground terminal (J2-1) for best results. When driving a DC motor, the W output is unused and the motor connects between the U & V outputs.



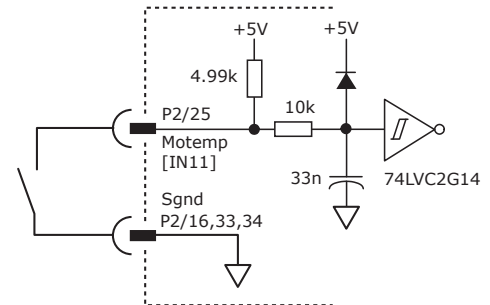
CME2 -> Basic Setup -> Motor Options

Motor Family:
 Brushless Brush

MOTOR OVER TEMP INPUT

The 4.99k pull-up resistor works with PTC (positive temperature coefficient) thermistors that conform to BS 4999:Part 111:1987 (table below), or switches that open/close indicating a motor over-temperature condition. The active level is programmable.

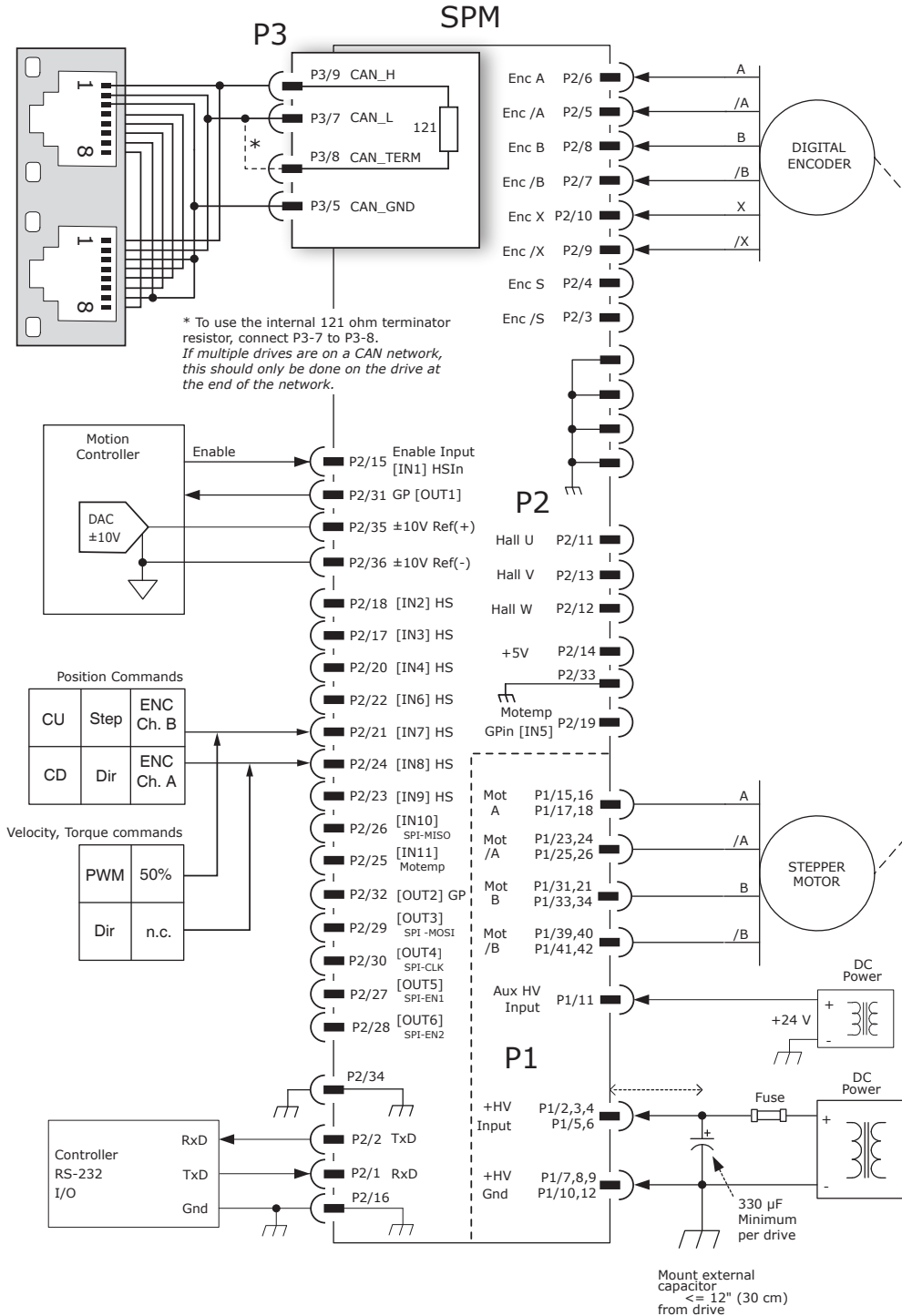
PROPERTY	OHMS
RESISTANCE IN THE TEMPERATURE RANGE 20°C TO +70°C	60~750
RESISTANCE AT 85°C	≤1650
RESISTANCE AT 95°C	≥3990
RESISTANCE AT 105°C	≥12000



CME2 -> Input / Output

[IN5] Motor Temp-HI Disables 0 ms

CONNECTIONS FOR INCREMENTAL DIGITAL ENCODER



NOTES:

1. P3 connections use multiple pins to share current.
All signals of the same name must be connected on the PC board to which the R52 is mounted.
2. The CANopen connector is shown to illustrate connections between the R52 and external cabling.
The connector is not part of the R52 and non-signal connections are not shown.

PRINTED CIRCUIT BOARD CONNECTORS & SIGNALS

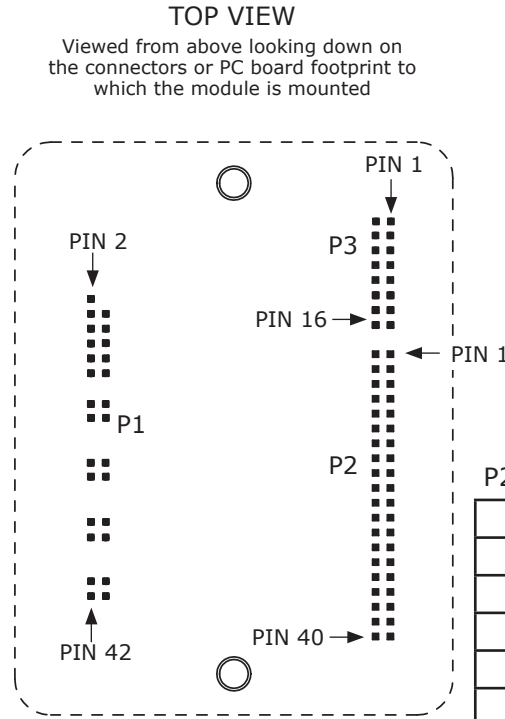
P1 POWER & MOTOR

SIGNAL	PIN		SIGNAL
+HV	2	1	
+HV	4	3	+HV
+HV	6	5	+HV
HVGND	8	7	HVGND
HVGND	10	9	HVGND
HVGND	12	11	HVAUX
	14	13	
MOT A	16	15	MOT A
MOT A	18	17	MOT A
	20	19	
	22	21	
MOT /A	24	23	MOT /A
MOT /A	26	25	MOT /A
	28	27	
	30	29	
MOT B	32	31	MOT B
MOT B	34	33	MOT B
	36	35	
	38	37	
MOT /B	40	39	MOT /B
MOT /B	42	41	MOT /B

P1: Power & Motor
Dual row, 2 mm- centers
42 position female header
SAMTEC SQW-121-01-L-D

NOTES:

1. P1 connections use multiple pins to share current. *All signals of the same name must be connected* on the PC board to which the R52 is mounted.
2. Cells in table above that are filled in grey are connector contacts that have no circuit connections.



P3 CANOPEN

SIGNAL	PIN		SIGNAL
CAN_GND	2	1	CAN_GND
CAN_GND	4	3	CAN_GND
CAN_GND	6	5	CAN_GND
CAN_TERM	8	7	CAN_L
CAN_GND	10	9	CAN_H
CAN_GND	12	11	CAN_GND
CAN_GND	14	13	CAN_GND
CAN_GND	16	15	CAN_GND

P3: CANopen
Dual row, 2 mm- centers
16 position female header
SAMTEC SQW-108-01-L-D

P2 CONTROL

SIGNAL	PIN		SIGNAL
RS-232 TXD	2	1	RS-232 RXD
ENC S	4	3	ENC /S
ENC A	6	5	ENC /A
ENC B	8	7	ENC /B
ENC X	10	9	ENC /X
HALL W	12	11	HALL U
ENC +5V	14	13	HALL V
SGND	16	15	[IN1] ENABLE
[IN2]	18	17	[IN3]
[IN4]	20	19	[IN5]
[IN6]	22	21	[IN7]
[IN8]	24	23	[IN9]
MISO [IN10]	26	25	[IN11] MOTEMP
SS2 [OUT6]	28	27	[OUT5] SS1
SCLK [OUT4]	30	29	[OUT3] MOSI
[OUT2]	32	31	[OUT1]
SGND	34	33	SGND
REF (-)	36	35	REF (+)
N.C.	38	37	N.C.
N.C.	40	39	N.C.

P2: Control
Dual row, 2 mm- centers
40 position female header
SAMTEC SQW-120-01-L-D

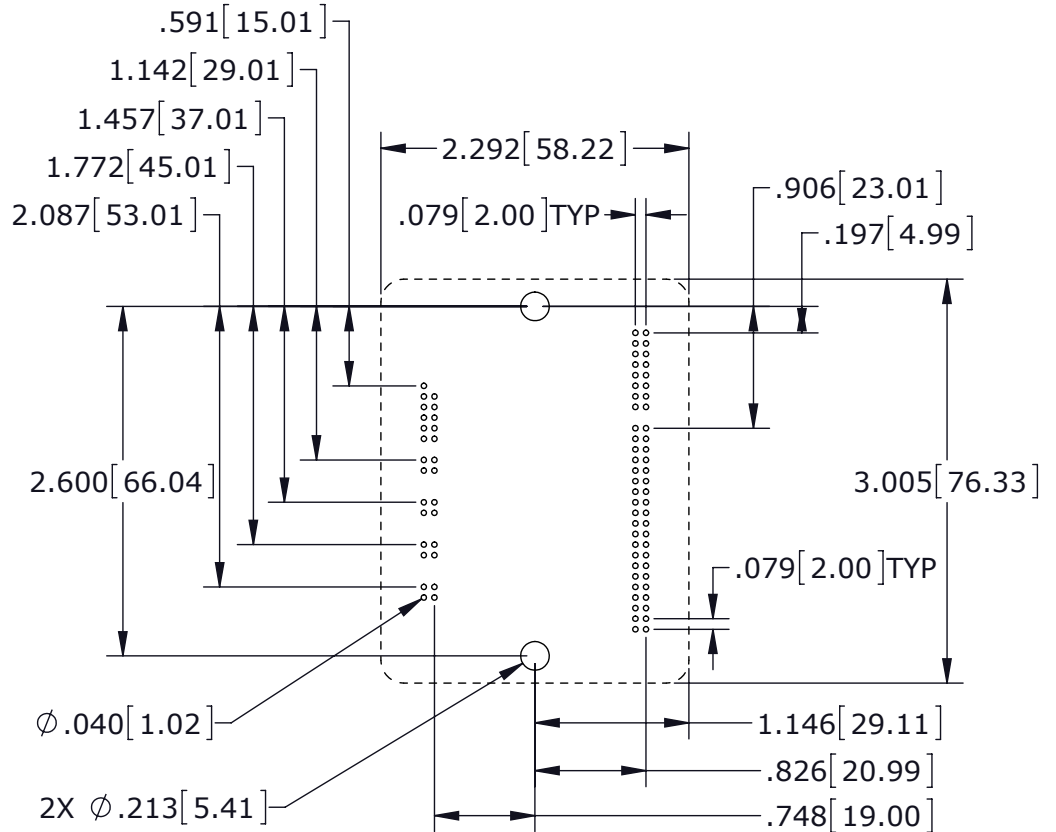
PRINTED CIRCUIT BOARD FOOTPRINT

DIMENSIONS ARE IN[MM]

TOP VIEW

Viewed from above looking down on the connectors or PC board footprint to which the module is mounted

P1 Signal Grouping for current-sharing See Note 1



PCB Hardware:

Qty	Description	Mfgr	Part Number	Remarks
1	Socket Strip	Samtec	SQW-121-01-L-D	J1 HV & Motor
1	Socket Strip	Samtec	SQW-120-01-L-D	J2 Control
1	Socket Strip	Samtec	SQW-108-01-L-D	J3 CANopen
2	Standoff	PEM	KFE-4/40-8ET	#4/40 X 1/4"

Additional Hardware (not shown above)

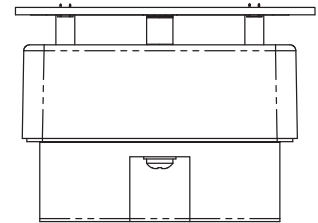
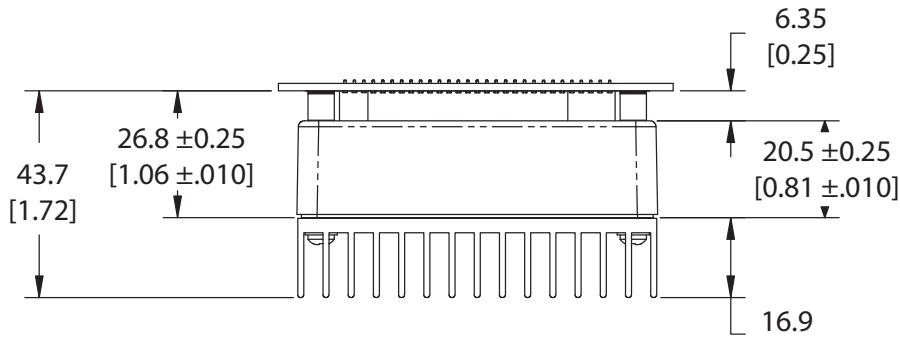
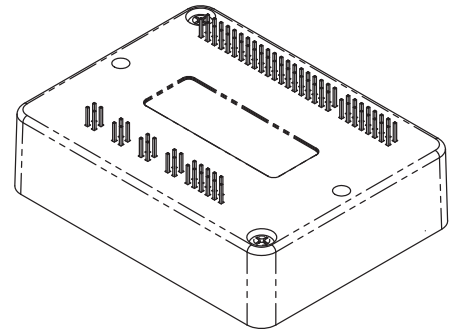
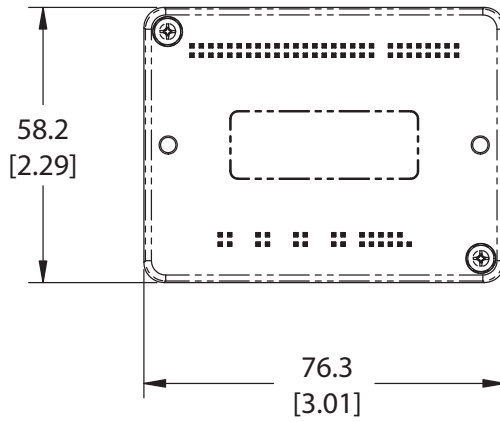
- 2 Screw, #4-40 x 1.25" Phillips Pan Head External Tooth Lockwasher SEMS, Stainless, or steel with nickel plating, Torque to 3~5 lb-in (0.34~0.57 N·m)

Notes

- J1 signals of the same name must be connected for current-sharing (see graphic above).
- To determine copper width and thickness for J3 signals refer to specification IPC-2221. (Association Connecting Electronic Industries, <http://www.ipc.org>)
- Standoffs or mounting screws should connect to etch on pc board that connect to frame ground for maximum noise suppression and immunity.

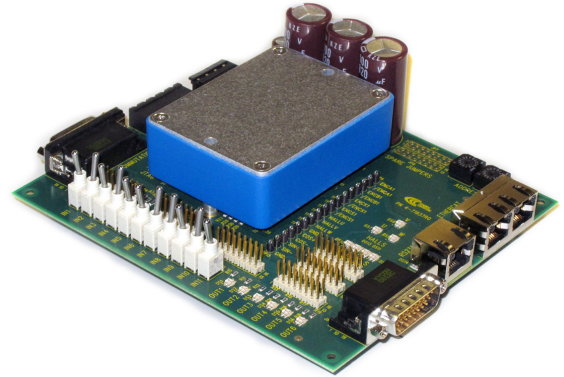
DIMENSIONS

DIMENSIONS ARE MM [IN]



DESCRIPTION

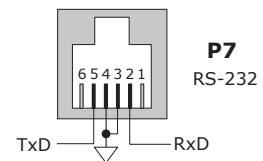
The Development Kit provides mounting and connectivity for one R52 drive. Solderless jumpers ease configuration of inputs and outputs to support their programmable functions. Switches can be jumpered to connect to digital inputs 1~11 so that these can be toggled to simulate equipment operation. Six LED's provide status indication for the digital outputs. Dual CANopen connectors make daisy-chain connections possible so that other CANopen devices such as Copley's Stepnet Plus or Xenus Plus CANopen drives can easily be connected.



RS-232 CONNECTION

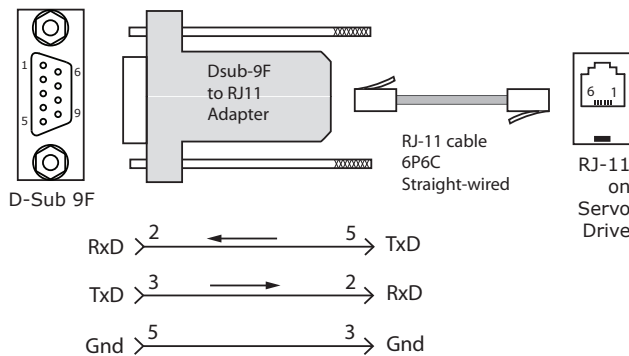
The RS-232 port is used to configure the drive for stand-alone applications, or for configuration before it is installed into an CANopen network. CME 2™ software communicates with the drive over this link and is then used for complete drive setup. The CANopen Slave Node-ID that is set by the rotary switch can be monitored, and a Node-ID offset programmed as well.

The RS-232 connector, J9, is a modular RJ-11 type that uses a 6-position plug, four wires of which are used for RS-232. A connector kit is available (SER-CK) that includes the modular cable, and an adaptor to interface this cable with a 9-pin RS-232 port on a computer.



SER-CK SERIAL CABLE KIT

The SER-CK provides connectivity between a D-Sub 9 male connector and the RJ-11 connector J9 on the Development Kit. It includes an adapter that plugs into the COM1 (or other) port of a PC and uses common modular cable to connect to the XEL. The connections are shown in the diagram below.



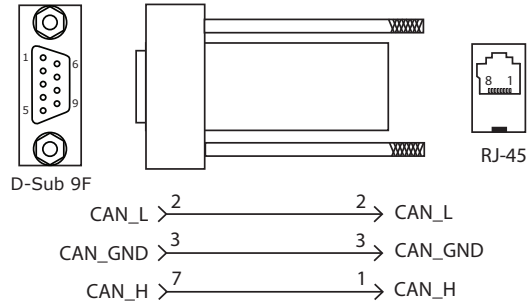
Don't forget to order a Serial Cable Kit SER-CK when placing your order for an R52 Development Kit!

CANOPEN CONNECTORS

Dual RJ-45 connectors that accept standard Ethernet cables are provided for CAN bus connectivity. Pins are wired-through so that drives can be daisy-chained and controlled with a single connection to the user's CAN interface. A CAN terminator should be placed in the last drive in the chain. The R52-NK connector kit provides a D-Sub adapter that plugs into a CAN controller and has an RJ-45 socket that accepts the Ethernet cable.

SPK-NK CAN CONNECTOR KIT

The kit contains the SPK-CV adapter that converts the CAN interface D-Sub 9M connector to an RJ-45 Ethernet cable socket, plus a 10 ft (3 m) cable and terminator. Both connector pin-outs conform to the CiA DR-303-1 specification.



INDICATORS (LEDS)

The AMP LED on J9 shows the operational state of the R52. The STATUS LED on J9 shows the state of the CANopen NMT (Network Management) state-machine in the drive. LEDs on J10 show activity on the CANopen network. Details on the NMT state-machine can be found in the CANopen Programmers Manual, §3.1: <http://www.copleycontrols.com/Motion/pdf/CANopenProgrammersManual.pdf>

AMP LED

A single bi-color LED gives the state of the R52 by changing color, and either blinking or remaining solid.

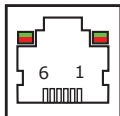
The possible color and blink combinations are:

- *Green/Solid:* Drive OK and enabled. Will run in response to reference inputs or CANopen commands.
- *Green/Slow-Blinking:* Drive OK but NOT-enabled. Will change to *Green/Solid* when enabled.
- *Green/Fast-Blinking:* Positive or Negative limit switch active. Drive will only move in direction not inhibited by limit switch.
- *Red/Solid:* Transient fault condition. Drive will resume operation when fault is removed.
- *Red/Blinking:* Latching fault. Operation will not resume until drive is Reset.

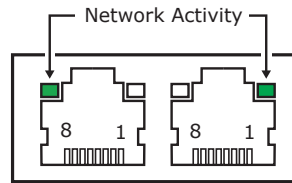
Drive Fault conditions. Faults are programmable to be either transient or latching:

- Over or under-voltage
- Motor over-temperature
- Encoder +5 Vdc fault
- Short-circuits from output to ground
- Drive over-temperature
- Internal short circuits
- Short-circuits from output to output

J9 RS-32 SERIAL



J10 CAN CONNECTIONS



STATUS LED

A single bi-color LED gives the state of the NMT state-machine by changing color, and either blinking or remaining solid. The possible color and blink combinations are:

RUN (GREEN)

- *Off* *Init*
- *Blinking* *Pre-operational*
- *Single-flash* *Stopped*
- *On* *Operational*

ERROR (RED)

- *Off* *No error*
- *Blinking* *Invalid configuration, general configuration error*
- *Single Flash* *Warning limit reached*
- *Double Flash* *Error Control Event (guard or heartbeat event) has occurred*
- *Triple Flash* *Sync message not received within the configured period*
- *On* *Bus Off, the CAN master is bus off*

Note: Red & green led on-times do not overlap. LED color may be red, green, off, or flashing of either color.

ACT LED

- *Flashing indicates the R52 is sending/receiving data via the CAN port*

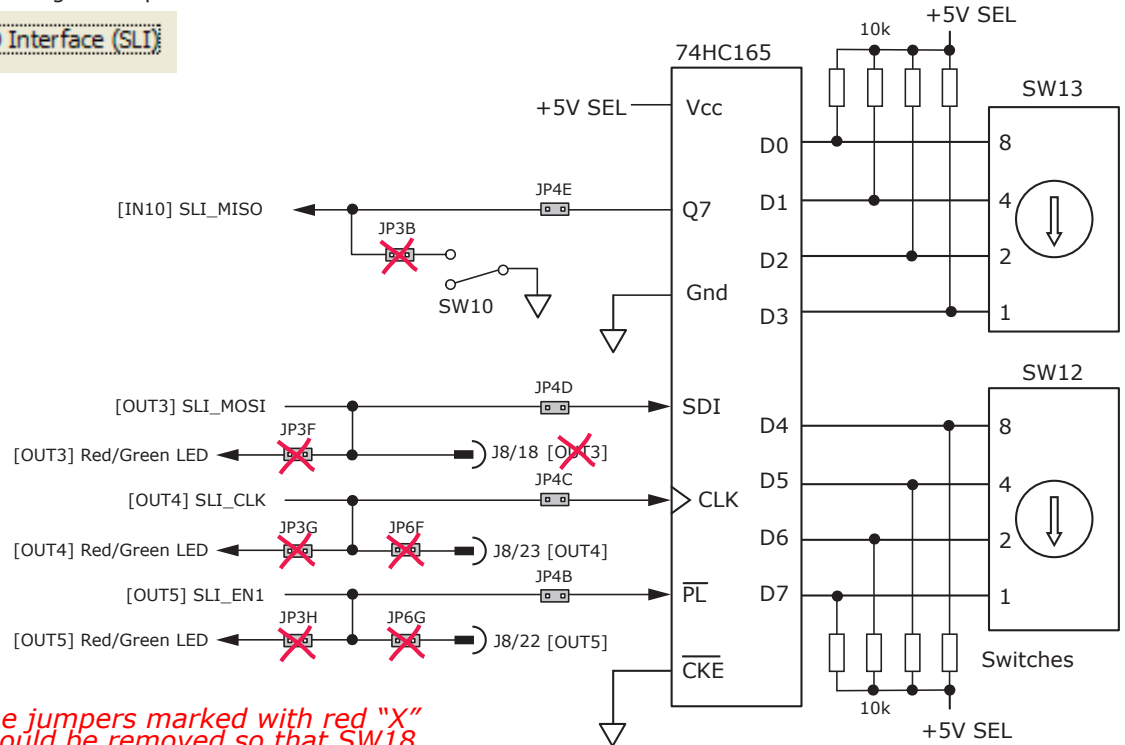
CANOPEN NODE-ID (ADDRESS) SWITCH CONNECTIONS

The graphic below shows the connections to the CANopen Node-ID switches. These are read after the drive is reset, or powered-on. When changing the settings of the switches, be sure to either reset the drive, or to power it off-on. Outputs [OUT3,4,5] and input [IN10] operate as an SLI (Switch & LED Interface) port which reads the settings on the CANopen Node-ID switches, and controls the LEDs on the serial and CANopen port connectors.

The jumpers marked with red "X" should be removed so that SW10, or external connections to the signals do not interfere with the operation of the SLI port.

CME2 -> Input/Output -> Digital Outputs

Use Switch and LED Interface (SLI)



The jumpers marked with red "X" should be removed so that SW10, or external connections to the signals do not interfere with the operation of the SLI port.

5V POWER SOURCES

The feedback connector J7 has connections for two power supplies:

Pin 6 has +5V supplied by the R52 module

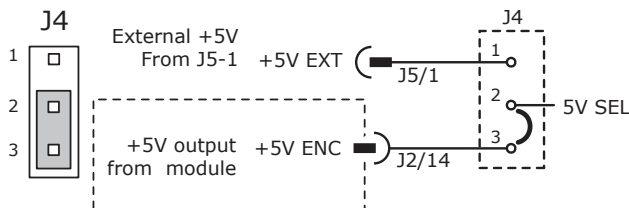
Pin 17 connects to jumper J4 for the selection of the 5V power source:

On J4, when the jumper connects pins 2 & 3, the power source is the R52 internal supply (the default setting)

When the jumper is on pins 1 & 2, the power source comes from an external power supply connecting to J5-1.

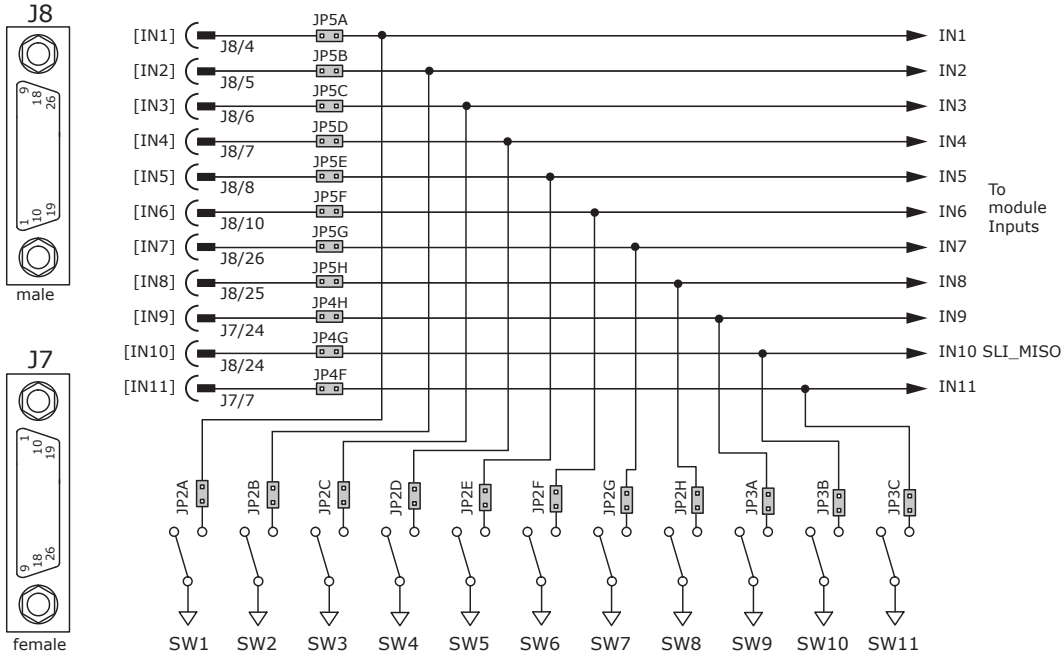
5V power on the Development Kit that comes from the selectable 5V power source on J4 is labeled "5V SEL".

Circuits powered by 5V supplied only by the R52 are labeled "5V R52"



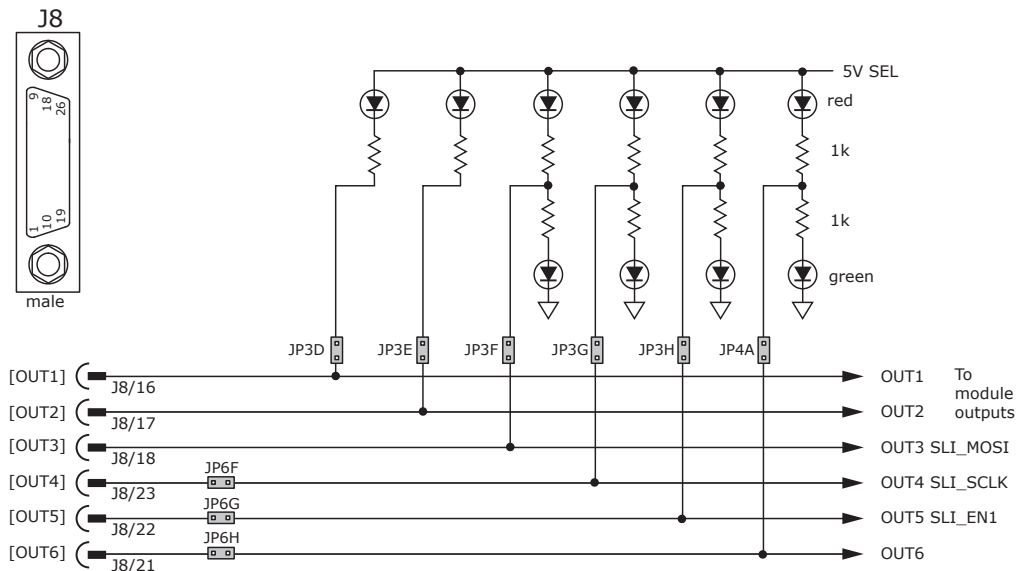
LOGIC INPUTS & SWITCHES

The Development Kit has jumpers that can connect the R52 digital inputs to switches on the kit, or to the Signal connector J8. As delivered, all of these jumpers are installed as shown. If connecting to external devices that actively control the level of an input, it is desirable to disconnect the switch which could short the input to ground. For example, if [IN1] is connected to an external device for the Enable function, then jumper JP2A should be removed to take the switch SW1 out of the circuit. The figure below shows these connections.



LOGIC OUTPUTS

There are six logic outputs that can drive controller logic inputs or relays. If relays are driven, then flyback diodes must be connected across their terminals to clamp overvoltages that occur when the inductance of the relay coil is suddenly turned off. Outputs 3,4,5 & 6 are CMOS types that pull up to 5V or down to ground. When these outputs go high it turns on the green LED. When they are low, the red LED is turned on. Outputs 1 & 2 are MOSFET types that sink current when ON, and appear as open-circuit when OFF. When these outputs are ON a red LED is turned on. When the outputs are OFF, the red LED is off. The green LED is not used on these outputs.



MOTOR FEEDBACK CONNECTOR J7

For motors with differential encoders: install jumpers JP1B, JP1D, JP1F, and JP1H to connect 121 ohm terminators across inputs
Jumpers JP1A, JP1C, JP1E, and JP1G do not affect this setting and may remain in place or be removed.

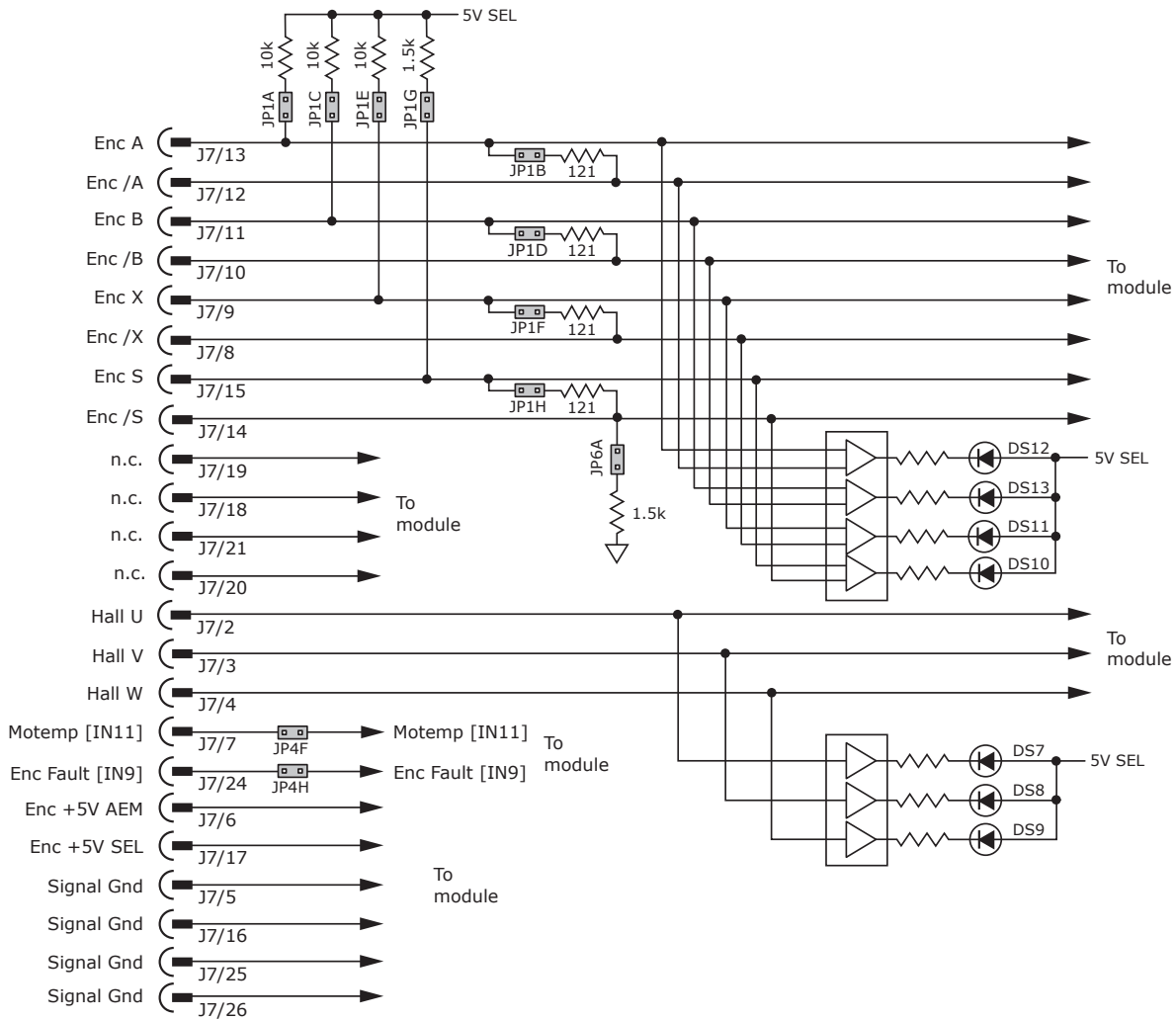
For motors with single-ended encoders: remove jumpers JP1B, JP1D, JP1F, and JP1H to disconnect 121 ohm terminators
Install jumpers JP1A, JP1C, JP1E, and JP1G

A motor temperature sensor that connects to [IN11] must have jumper JP4F installed and JP3C removed to prevent switch SW11 from grounding the Motemp[IN11] signal.

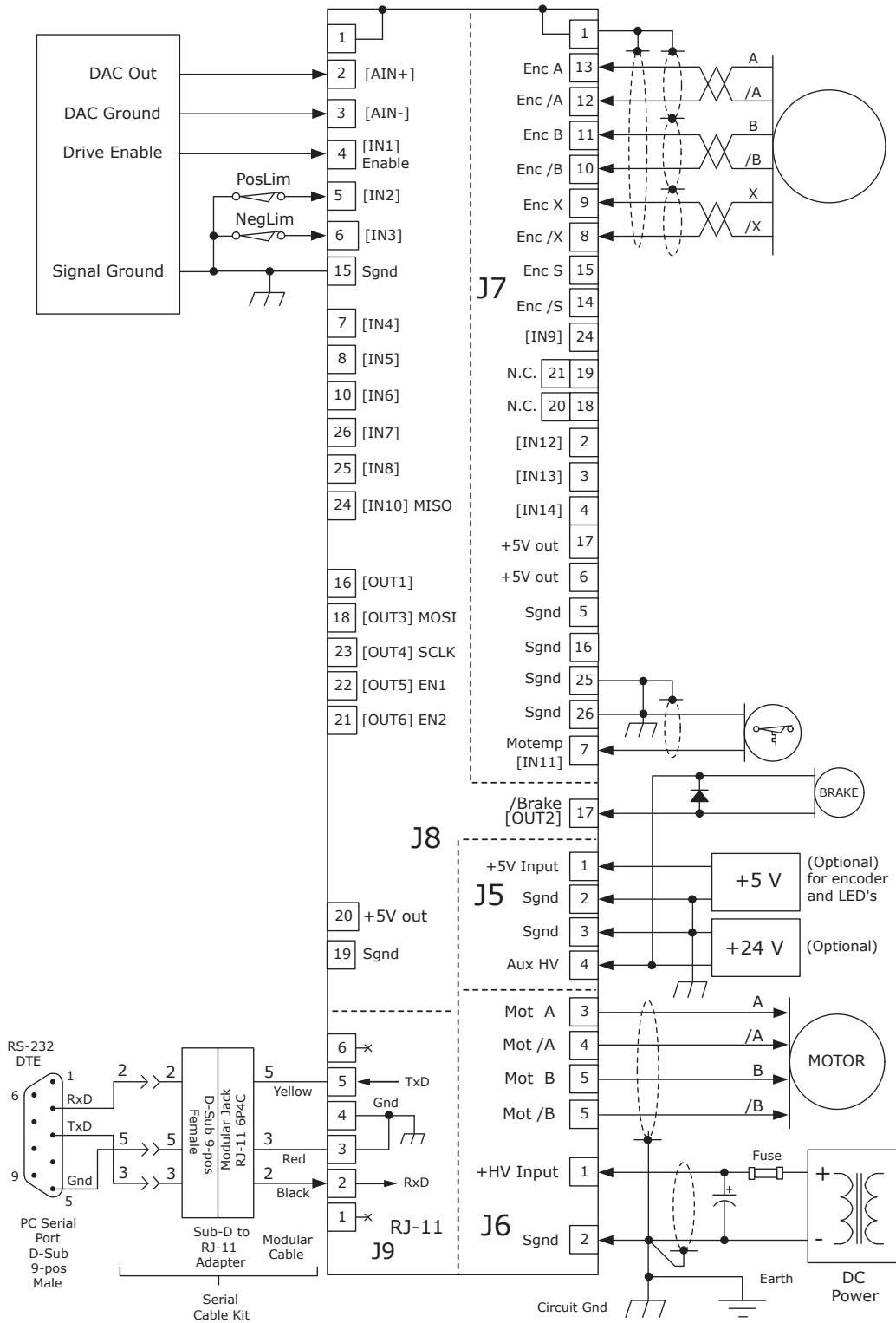
If the encoder has a fault output, then jumper JP4H must be in place and jumper JP3A must be removed to prevent switch SW9 from grounding the Enc Fault [IN9] signal.

Absolute encoders such as the Nikon A type that use 2-wire bidirectional signals require biasing the lines when they are in a quiescent state. Jumpers JP1G, JP1H, and JP6A must be in place to provide line termination and biasing.

LED's are provided to show the status of the encoder and Hall signals.



DEVELOPMENT KIT CONNECTIONS



Notes:

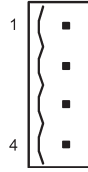
1. CANopen connectors J10 are not shown here. For details see pp 4 & 13.

DEVELOPMENT KIT

The Development Kit mounts a single R52 module and enables the user to test and operate the R52 before it is mounted onto a PC board in the target system.

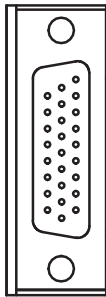
J6 AUX HV & EXT 5V

SIGNAL	PIN
+5V EXT	1
Sgnd	2
Sgnd	3
AUX HV INPUT	4



J6 MOTOR

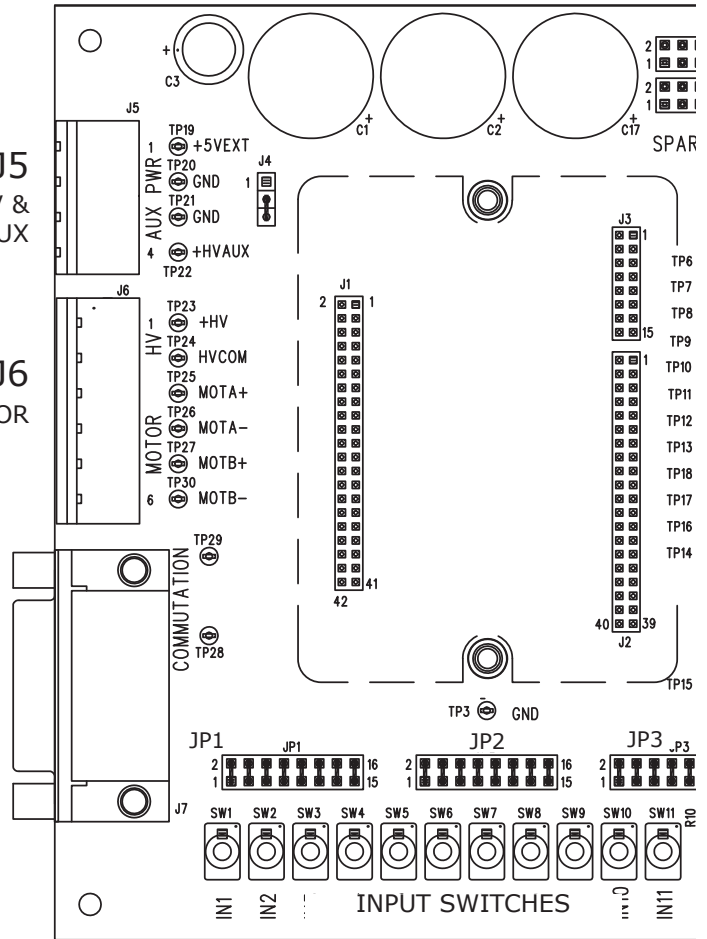
SIGNAL	PIN
+HV INPUT	1
HV GND	2
MOTOR A	3
MOTOR /A	4
MOTOR B	5
MOTOR /B	6



J7 FEEDBACK

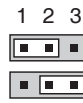
J7 FEEDBACK

PIN	SIGNAL	PIN	SIGNAL	PIN	SIGNAL
26	Sgnd	18	N.C.	9	Enc X1
25	Sgnd	17	+5 Vdc Out	8	Enc /X1
24	Enc Fault	16	Sgnd	7	[IN11] Motemp
23	N.C.	15	Enc S1	6	+5 Vdc Out
22	N.C.	14	Enc /S1	5	Sgnd
21	N.C.	13	Enc A1	4	[IN14]
20	N.C.	12	Enc /A1	3	[IN13]
19	N.C.	11	Enc B1	2	[IN12]
		10	Enc /B1	1	Frame Gnd



J11 CAN NETWORK TERMINATOR

PINS	FUNCTION
1-2	TERMINATOR ON
2-3	TERMINATOR OFF



J10 CANOPEN

PIN	SIGNAL
8	(CAN_V+) ¹
7	CAN_GND
6	(CAN_SHLD) ¹
5	Reserved
4	No Connection
3	CAN_GND
2	CAN_L
1	CAN_H

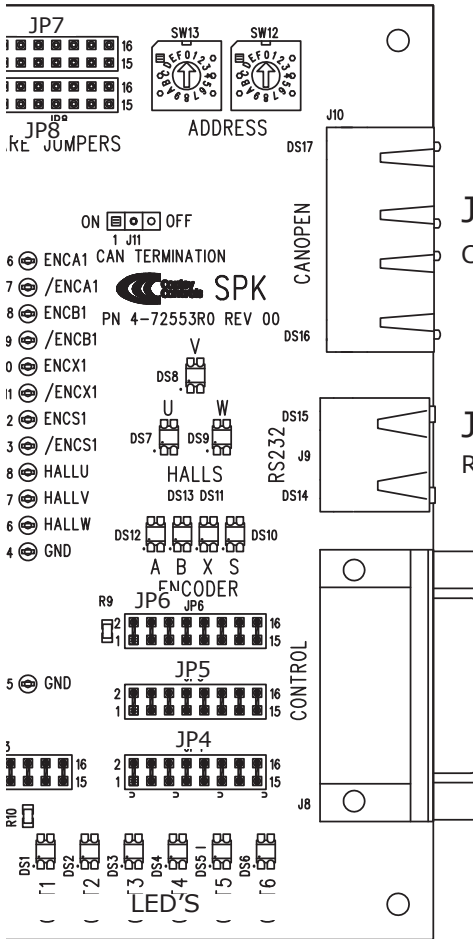
J9 RS-232

PIN	SIGNAL
6	N.C.
5	TXD
4	SGND
3	SGND
2	RXD
1	N.C.

J8 CONTROL

PIN	SIGNAL	PIN	SIGNAL	PIN	SIGNAL
9	N.C.	18	[OUT3] MOSI	26	[IN7] HS
8	[IN5] HS	17	[OUT2] GP	25	[IN8] HS
7	[IN4] HS	16	[OUT1] GP	24	[IN10] MISO
6	[IN3] HS	15	Sgnd	23	[OUT4] CLK
5	[IN2] HS	14	N.C.	22	[OUT5] EN1
4	[IN1] HS	13	N.C.	21	[OUT6] EN2
3	[AIN1-]	12	N.C.	20	+5 Vdc Out
2	[AIN1+]	11	N.C.	19	Sgnd
1	Frame Gnd	10	[IN6] HS		

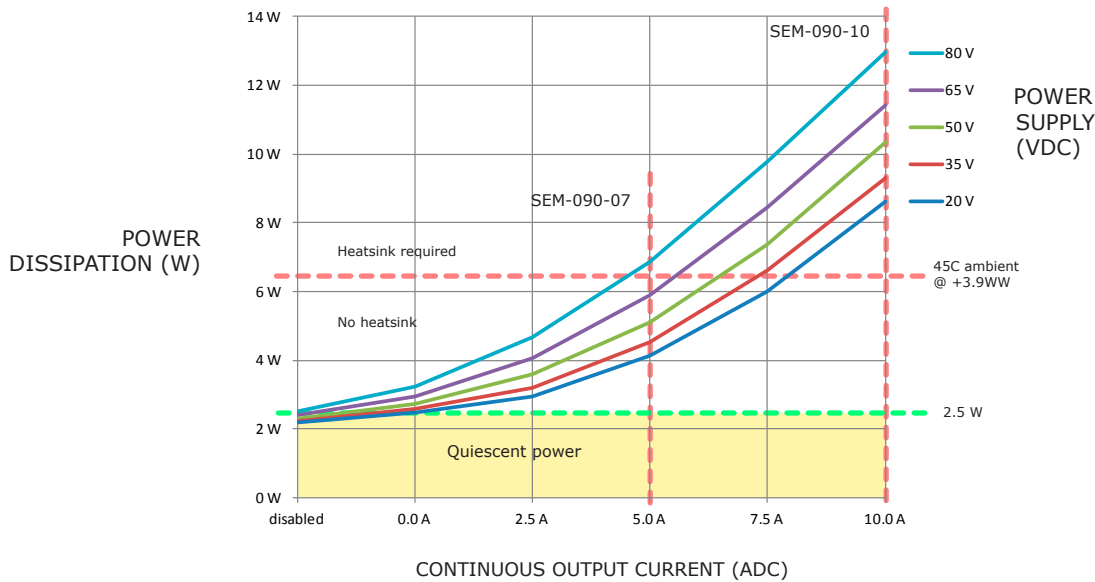
NODE-ID (ADDRESS) SWITCHES



POWER DISSIPATION

The charts on this page show the drive's internal power dissipation for different models under differing power supply and output current conditions. Drive output current is calculated from the motion profile, motor, and load conditions. The values on the chart represent the rms (root-mean-square) current that the drive would provide during operation. The +HV values are for the average DC voltage of the drive power supply.

To see if a heatsink is required or not, the next step is to determine the temperature rise the drive will experience when it's installed. For example, if the ambient temperature in the drive enclosure is 45 °C, and the heatplate temperature is to be limited to 80° C or less to avoid shutdown, the maximum rise would be 80C - 45C. or 35° C. Dividing this dissipation by the thermal resistance of 9° C/W with no heatsink gives a dissipation of 3.9W. This line is shown in the chart. For power dissipation below this line, no heatsink is required. The vertical dashed lines show the continuous current ratings for the drive models.

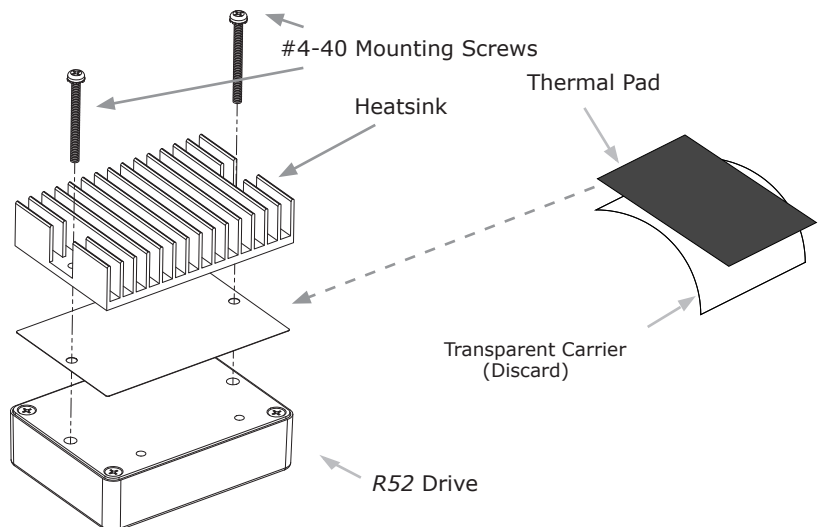


HEATSINK INSTALLATION USING THE R52-HK HEATSINK KIT

An AOS Micro Faze thermal pad is used in place of thermal grease. This material comes in sheet form and changes from solid to liquid form as the drive warms up. This forms an excellent thermal path from drive heatplate to heatsink for optimum heat transfer.

STEPS TO INSTALL

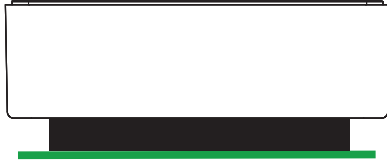
1. Remove the thermal pad from the clear plastic carrier.
2. Place the thermal pad on the Stepnet aluminum heatplate taking care to center the thermal pad holes over the holes in the drive body.
3. Mount the heatsink onto the thermal pad again taking care to see that the holes in the heatsink, thermal pad, and drive all line up.
4. Torque the #4-40 mounting screws to 3~5 lb-in (0.34~0.57 N·m).



HEATSINK OPTIONS

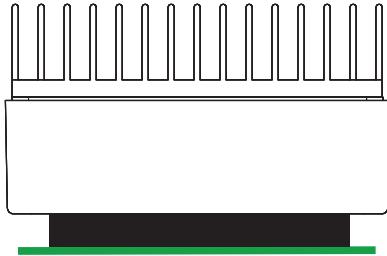
Rth expresses the rise in temperature of the drive per Watt of internal power loss. The units of Rth are °C/W, where the °C represent the rise above ambient in degrees Celsius. The data below show thermal resistances under convection, or fan-cooled conditions for the no- heatsink, and R52-HS heatsink.

NO HEATSINK



NO HEATSINK	C/W
CONVECTION	9.1
FORCED AIR (300 LFM)	3.3

STANDARD HEATSINK (R52-HK)



WITH HEATSINK	C/W
CONVECTION	5.3
FORCED AIR (300 LFM)	1.1

THIS PAGE
LEFT BLANK
INTENTIONALLY



MASTER ORDERING GUIDE

R52-090-07	Stepnet R52 stepper drive, 5/7 A, 20~90 Vdc
R52-090-10	Stepnet R52 stepper drive, 10/10 A, 20~90 Vdc
SPK-090-01	Development Kit for R52 stepper drive

ACCESSORIES

	QTY	DESCRIPTION
Connector Kit for Development Kit SPK-CK-01	1	Connector, Euro, 5 Terminal, 5.08 mm
	1	Connector, Euro, 4 Terminal, 5.08 mm
	1	26 Pin Connector, High Density, D-Sub, Male, Solder Cup
	2	26 Pin Connector, High Density, D-Sub, Female, Solder Cup
	1	26 Pin Connector Backshell
CANopen Network Kit SPK-NK	1	Adapter Assy, DB9 Female to RJ45 Jack (SPK-CV)
	1	CANopen Network Cable, 10 ft. (SPK-NC-10)
	1	CANopen Network Terminator (SPK-NT)
Heatsink Kit R52-HK	1	Heatsink for R52
	1	Heatsink Thermal Pad
	2	Screws, #4/40 x 1.25", SEMS
SPK-CV		Adapter Assembly, DB9 Female to RJ45 Jack
SPK-NC-10		CANopen Network Cable, 10 ft
SPK-NC-10		CANopen network cable, 1 ft
SPK-NC-10		CANopen Network Terminator
CME 2		CME 2 Drive Configuration Software on CD-ROM
SER-CK		Serial Cable Kit for Development Kit

16-01591 Document Revision History

Revision	Date	Remarks
00	March 9, 2017	Initial released version

Note: Specifications subject to change without notice