

DIGITAL SERVO DRIVE FOR BRUSH & BRUSHLESS MOTORS

CONTROL MODES

- Profile Position-Velocity-Torque, Interpolated Position, Homing
- Camming, Gearing
- Indexer

COMMAND INTERFACE

- CANopen
- ASCII and discrete I/O
- Stepper commands
- ±10V position/velocity/torque
- PWM velocity/torque command
- Master encoder (Gearing/Camming)

COMMUNICATIONS

- CANopen DS-402
- RS-232

FEEDBACK

Incremental Encoders

- Digital quad A/B
- Analog Sin/Cos
- Panasonic Incremental A Format
- Aux. quad A/B encoder / encoder out

Absolute Encoders

- SSI, EnDat, Absolute A, Tamagawa & Panasonic Absolute A, Sanyo Denki Absolute A, BiSS (B & C)

Other

- Digital Halls

I/O DIGITAL

- 8 High-speed inputs
- 2 Motor over-temp inputs
- 8 Opto-Isolated inputs
- 5 Opto-Isolated outputs
- 2 Opto-Isolated brake outputs

ANALOG

- 2 Reference Inputs, 12-bit

SAFE TORQUE OFF (STO)

- SIL 3, Category 3, PL d

DIMENSIONS: IN [MM]

- 6.78 x 4.70 x 1.74 [172.1 x 119.3 x 44.1] no heatsink
- 6.78 x 4.70 x 3.14 [172.1 x 119.3 x 79.8] with heatsink

DESCRIPTION

The BP2 is a high-performance, DC powered drive for position, velocity, and torque control of brushless and brush motors via CANopen. Drive commissioning is fast and simple using CME 2™ software operating under Windows® and communicating with the BP2 via RS-232.

The BP2 operates as a CANopen DS-402 node. Supported modes include: Profile Position-Velocity-Torque, Interpolated Position Mode (PVT), and Homing.

Feedback from both incremental and absolute encoders is supported. A multi-mode encoder port functions as an input or output depending on the drive's basic setup. As an input it takes feedback from a secondary encoder to create a dual-loop position control system or as a master encoder for driving a cam table. As an output, it buffers the digital encoder signals from the motor's digital encoder and eliminates split cables that would be needed to send the signals to both drive and control system.



| Model | Ip | Ic | Vdc |
|------------|----|----|-----|
| BP2-090-06 | 6 | 3 | 90 |
| BP2-090-14 | 14 | 7 | 90 |
| BP2-090-20 | 20 | 10 | 90 |

Current ratings are for each axis
Add -R for resolver feedback option

There are ten non-isolated inputs. Eight opto-isolated digital inputs are bipolar types that source or sink current into a common connection that can be tied to ground or +24V. [IN1&10] default to the drive Enable function for axes A & B, and are programmable to other functions. The other inputs are programmable. All inputs have programmable active levels. Five opto-isolated outputs [OUT1~5] have individual collector/emitter connections. Two MOSFET outputs [OUT6~7] are programmable to drive motor brakes or other functions.

Drive power is transformer-isolated DC from regulated or unregulated power supplies. An AuxHV input is provided for "keep-alive" operation permitting the drive power stage to be completely powered down without losing position information, or communications with the control system.

GENERAL SPECIFICATIONS

Test conditions: Load = Wye connected load: 2 mH + 2 Ω line-line. Ambient temperature = 25°C, +HV = HV_{max}

| MODEL | BP2-090-06 | BP2-090-14 | BP2-090-20 | |
|------------------------------------------------------------------------|--------------------------------------------------------------------------------------------------------------------------------------------------------------------------------------------------------|------------|-----------------------------------------------|--------------------------------------|
| OUTPUT POWER (EACH AXIS) | | | | |
| Peak Current | 6 (4.2) | 14 (9.9) | 20 (14.4) | Adc (Arms-sine), ±5% |
| Peak time | 1 | | | Sec |
| Continuous current (Note 1) | 3 (2.1) | 7 (4.9) | 10 (7.1) | Adc (Arms-sine) per phase |
| INPUT POWER | | | | |
| HVmin~HVmax | +14 to +90 | +14 to +90 | +14 to +90 | Vdc Transformer-isolated |
| Ipeak | 12 | 28 | 40 | Adc (1 sec) peak |
| Icont | 6 | 14 | 20 | Adc continuous |
| Aux HV | +14 to +90 Vdc, 4 W (Typ, no load on encoder +5V outputs), 11 W, (Max, both encoder +5V @ 500 mA) | | | Optional, not required for operation |
| DIGITAL CONTROL | | | | |
| Digital Control Loops | Current, velocity, position. 100% digital loop control | | | |
| Sampling rate (time) | Current loop: 16 kHz (62.5 μs), Velocity & position loops: 4 kHz (250 μs) | | | |
| Bus voltage compensation | Changes in bus or mains voltage do not affect bandwidth | | | |
| Minimum load inductance | 200 μH line-line | | | |
| COMMAND INPUTS (NOTE: DIGITAL INPUT FUNCTIONS ARE PROGRAMMABLE) | | | | |
| <i>Distributed Control Modes</i> | | | | |
| CANopen | Interpolated Position, Homing | | | |
| <i>Stand-alone mode</i> | | | | |
| Analog torque, velocity, position reference | ±10 Vdc, 12-bit resolution | | Dedicated differential analog input | |
| Digital position reference | Pulse/Direction, CW/CCW | | Stepper commands (2 MHz maximum rate) | |
| | Quad A/B Encoder | | 2 M line/sec, 8 Mcount/sec (after quadrature) | |
| Digital torque & velocity reference | PWM , Polarity | | PWM = 0% - 100%, Polarity = 1/0 | |
| | PWM 50% | | PWM = 50% ±50%, no polarity signal required | |
| | PWM frequency range | | 1 kHz minimum, 100 kHz maximum | |
| | PWM minimum pulse width | | 220 ns | |
| Indexing | Up to 32 sequences can be launched from inputs or ASCII commands. | | | |
| Camming | Up to 10 CAM tables can be stored in flash memory | | | |
| ASCII | RS-232, DTE, 9600~115,200 Baud, 3-wire, RJ-11 connector | | | |
| DIGITAL INPUTS | | | | |
| Number 18 | | | | |
| [IN1,2,10,11] | Digital, non-isolated, Schmitt trigger, 1.5 μs RC filter, 24 Vdc compatible, programmable pull-up/down to +5 Vdc/ground, 74HC2G14, Vcc = 5 Vdc, Vt+ = 2.5~3.5 Vdc, VT- = 1.3~2.2 Vdc, VH = 0.7~1.5 Vdc | | | |
| [IN3,4,12,13] | Digital, non-isolated, programmable as single-ended or differential pairs, 100 ns RC filter, 12 Vdc max, programmable pull-up/down per input to +5 Vdc/ground, MAX3096, Vcc = 3.3 Vdc | | | |
| [IN5~8,14~17] | SE: Vin-LO ≤ 2.3 Vdc, Vin-HI ≥ 2.7 Vdc, VH = 45 mV typ, DIFF: Vin-LO ≤ 200 mVdc, Vin-HI ≥ 200 mVdc, VH = 45 mV typ | | | |
| [IN9,18] | Digital, opto-isolated, single-ended, ±15~30 Vdc compatible, bi-polar, 2 groups of 4, each with a common terminal | | | |
| Functions | Rated impulse ≥ 800 V, Vin-LO ≤ 6.0 Vdc, Vin-HI ≥ 10.0 Vdc, Input current ±3.6 mA @ ±24 Vdc, typical | | | |
| | Default as motor overtemp inputs on feedback connectors, 12 Vdc max, 74HC2G14, Vcc = 5 Vdc, 330 μs RC filter, 4.99k pullup to +5 Vdc, Vt+ = 2.5~3.5 Vdc, VT- = 1.3~2.2 Vdc, VH = 0.7~1.5 Vdc | | | |
| | All inputs are programmable, [IN1 & IN10] default to drive axes A & B Enable function and are programmable | | | |
| ANALOG INPUTS | | | | |
| Number 2 | | | | |
| [AIN1~2] | Differential, ±10 Vdc, 5 kΩ input impedance, 12-bit resolution | | | |
| SAFE TORQUE OFF (STO) | | | | |
| Function | PWM outputs are inactive and current to the motor will not be possible when the STO function is asserted | | | |
| Standard | Designed to IEC-61508-1, IEC-61508-2, IEC-61800-5-2, ISO-13849-1 | | | |
| Safety Integrity Level | SIL 3, Category 3, Performance level d | | | |
| Inputs | 2 two-terminal: STO-IN1+,STO-IN1-, STO-IN2+, STO-IN2- | | | |
| Type | Opto-isolators, 24V compatible, Vin-LO ≤ 6.0 Vdc or open, Vin-HI ≥ 15.0 Vdc, | | | |
| Input current (typical) | STO-IN1: 9.0 mA, STO-IN2: 4.5 mA | | | |
| Response time | 2 ms from Vin ≤6.0 Vdc to interruption of energy supplied to motor | | | |
| Reference | Complete information and specifications are in the 16-01338 Accelnet & Steynet Plus Panels STO Manual | | | |
| DIGITAL OUTPUTS | | | | |
| Number 7 | | | | |
| [OUT1~5] | Opto-isolated SSR, two-terminal, 300 mA max, 24 V tolerant, Rated impulse ≥ 800 V, series 1 Ω resistor | | | |
| [OUT6~7] | Opto-isolated MOSFET, default as motor brake control, current-sinking, 1 Adc max, flyback diodes to +24 V external power supply for driving inductive loads | | | |
| | Programmable for other functions if not used for brake | | | |
| RS-232 PORT | | | | |
| Signals | RxD, TxD, Gnd in 6-position, 4-contact RJ-11 style modular connector, non-isolated, common to Signal Ground | | | |
| Mode | Full-duplex, DTE serial communication port for drive setup and control, 9,600 to 115,200 Baud | | | |
| Protocol | Binary and ASCII formats | | | |
| CANOPEN PORTS | | | | |
| Signals | CANH, CANL, CAN_GND in 8-position dual RJ-45 style modular connector, wired as per CAN Cia DR-303-1, V1.1 | | | |
| Format | CAN V2.0b physical layer for high-speed connections compliant | | | |
| Data | CANopen Device Profile DSP-402 | | | |
| Node-ID selection | 16 position rotary switches on front panel with 3 additional Node-ID bits available as digital inputs or programmable to flash memory (7-bit addressing, 127 nodes per CAN network) | | | |



NOTES:

1) Heatsink or forced-air required for continuous current rating

GENERAL SPECIFICATIONS

| | | |
|---------------------------------------|------------------------------------------------------------------------------------------------------------------------------------------------------------------------------------------------------------------------------------------------------------------------------------------------------------------------------------------------------------|------------------------------------------------------------------------------------|
| DC POWER OUTPUTS | | |
| Number: Ratings Connections | 2: +5 Vdc, 500 mA max each output, thermal and short-circuit protected Axis A: J1-17, J1-32, J7-6, J7-17; combined current from these pins cannot exceed 500 mA Axis B: J1-23, J1-38, J8-6, J8-17; combined current from these pins cannot exceed 500 mA | |
| INDICATORS | | |
| AMP L/A, RUN, ERR | Bicolor LED, drive status indicated by color, and blinking or non-blinking condition Yellow & green LED on A & B ports, status of CANopen bus indicated by color and blink codes based on CANopen Indicator Specification V0.91 Green LED: ON = Good Link, Blinking = Activity, OFF = No Link Yellow LED: ON for Full-Duplex, OFF for Half-Duplex | |
| PROTECTIONS | | |
| HV Overvoltage | +HV > 90 Vdc | Drive outputs turn off until +HV < 90 Vdc (See Input Power for HV _{max}) |
| HV Undervoltage | +HV < +14 Vdc | Drive outputs turn off until +HV > +14 Vdc |
| Drive over temperature | Heat plate > 70°C. | Drive outputs turn off |
| Short circuits | Output to output, output to ground, internal PWM bridge faults | |
| I ² T Current limiting | Programmable: continuous current, peak current, peak time | |
| Motor over temperature | Digital inputs programmable to detect motor temperature switch | |
| Feedback Loss | Inadequate analog encoder amplitude or missing incremental encoder signals | |
| MECHANICAL & ENVIRONMENTAL | | |
| Size IN [MM] | 6.78 x 4.70 x 1.74 [172.1 x 119.3 x 44.1] without heatsink 6.78 x 4.70 x 3.14 [172.1 x 119.3 x 79.8] with heatsink | |
| Weight LB[KG] | 1.5 [0.68] without heatsink, 2.75 [1.25] with heatsink | |
| Ambient temperature | 0 to +45C operating, -40 to +85C storage | |
| Humidity | 0 to 95%, non-condensing | |
| Vibration | 2 g peak, 10~500 Hz (sine), IEC60068-2-6 | |
| Shock | 10 g, 10 ms, half-sine pulse, IEC60068-2-27 | |
| Contaminants | Pollution degree 2 | |
| Environment | IEC68-2 | |
| Cooling | Heat sink and/or forced air cooling required for continuous power output | |

AGENCY STANDARDS CONFORMANCE

Standards and Directives

Functional Safety

IEC 61508-1, IEC 61508-2, IEC 61508-3, IEC 61508-4 (SIL 3)
 Directive 2006/42/EC (Machinery)
 ISO 13849-1/Cor. 1:2009 (Cat 3, PL d)
 IEC 61800-5-2 (SIL3)



Product Safety

Directive 2014/35/EU (Low Voltage)
 IEC 61800-5-1

EMC

Directive 2014/30/EU (EMC)
 IEC 61800-3

Restriction of the Use of Certain Hazardous Substances (RoHS)

Directive 2011/65/EU (RoHS II)




Approvals

UL and cUL recognized component to:

UL 61800-5-1, 1st Ed.

TÜV SÜD Functional Safety to:

IEC 61508-1, IEC 61508-2, IEC 61508-3, IEC 61508-4 (SIL 3)
 ISO 13849-1/Cor. 1:2009 (Cat 3, PL d)

| | |
|------------------------------------------------------------------------------------------------------|------------------------------------------------------------------------------------------------------------------------------------------------------------------------------------------------------------------------------------------------------------------|
|  DANGER | <p>Refer to the 16-01338 Accelnet & Stepnet Plus Panels STO Manual for further details</p> |
| | <p>The information provided in the 16-01338 Accelnet & Stepnet Plus Panels STO Manual must be considered for any application using the BP2 drive's STO feature.</p> <p>FAILURE TO HEED THIS WARNING CAN CAUSE EQUIPMENT DAMAGE, INJURY, OR DEATH.</p> |

FEEDBACK: BP2 MODELS

FEEDBACK

Incremental:

| | |
|-------------------------------------|-------------------------------------------------------------------------------------------------------------------------------------------------------------------------------------------------------------------------------------------------|
| Digital Incremental Encoder | Quadrature signals, (A, /A, B, /B, X, /X), differential (X, /X Index signals not required) 5 MHz maximum line frequency (20 M counts/sec) MAX3097 differential line receiver with 121 Ω terminating resistor between complementary inputs |
| Analog Incremental Encoder | Sin/cos format (sin+, sin-, cos+, cos-), differential, 1 Vpeak-peak, ServoTube motor compatible, BW > 300 kHz, 121 Ω terminating resistor between complementary inputs |
| Analog Index signal | Differential, 121 Ω terminating resistor between complementary inputs, 1 Vpeak-peak zero-crossing detect |
| Panasonic Incremental A Format | |
| Sanyo Denki Wire-saving Incremental | |

Absolute:

*Serial encoders may connect to the feedback connectors or the multi-port
Two serial encoders are the maximum allowed
Two serial encoders on one axis are not supported*

Absolute:

| | |
|--------------------------------------------------------------------------------------|------------------------------------------------------------------------------------------------------------------------------------------------------------------------------------------------------------------------------------------------|
| SSI | Clock (X, /X), Data (S, /S) signals, 4-wire, clock output from BP2, data returned from encoder |
| EnDAT | Clock (X, /X), Data (S, /S), sin/cos (sin+, sin-, cos+, cos-) signals |
| Absolute A, Tamagawa Absolute A, Panasonic Absolute A Format, Sanyo Denki Absolute A | SD+, SD- (S, /S) signals, 2.5 or 4 MHz, 2-wire half-duplex communication Position feedback: 13-bit resolution per rev, 16 bit revolution counter (29 bit absolute position data) Status data for encoder operating conditions and errors |
| BiSS (B&C) | MA+, MA- (X, /X), SL+, SL- (S, /S) signals, 4-wire, clock output from BP2, data returned from encoder |

DIGITAL HALLS

| | |
|--------|---------------------------------------------------------------------------------------------------------------------------------------------------------------------------------------------------------------------------------------------|
| Type | Digital, single-ended, 120° electrical phase difference between U-V-W signals, Schmitt trigger, 1 μs RC filter, 24 Vdc compatible, programmable pull-up/down to +5 Vdc/ground, Vt+ = 2.5~3.5 Vdc, VT- = 1.3~2.2 Vdc, VH = 0.7~1.5 Vdc |
| Inputs | 10 kΩ pullups to +5 Vdc, 1 μs RC filter to Schmitt trigger inverters |

MULTI-MODE ENCODER PORT

| | |
|--------------------|-----------------------------------------------------------------------------------------------------------------------------------------------------------------------------------------------------------------------------------------------|
| As Input | Digital quadrature encoder (A, /A, B, /B, X, /X), 121 Ω terminating resistors between A & /A, B & /B inputs 18 M-counts/sec, post-quadrature (4.5 M-lines/sec) |
| As Emulated Output | Digital absolute encoder (Clk, /Clk, Dat, /Dat) half or full-duplex operation, 121 Ω terminating resistors Quadrature encoder emulation with programmable resolution to 4096 lines (65,536 counts) per rev from analog sin/cos encoders |
| As Buffered Output | A, /A, B, /B, outputs from MAX3032 differential line driver, X, /X, S, /S outputs from MAC3362 drivers Digital encoder feedback signals from primary digital encoder are buffered by MAX3032 line driver |

ENCODER POWER SUPPLIES

| | |
|-----------------|--------------------------------------------------------------------------------------------------------------------------------------------------------------------------------------|
| Number: Ratings | 2: +5 Vdc, 500 mA max each output, thermal and short-circuit protected |
| Connections | Axis A: J1-17, J1-32, J7-6, J7-17; combined current from these pins cannot exceed 500 mA Axis B: J1-23, J1-38, J8-6, J8-17; combined current from these pins cannot exceed 500 mA |

FEEDBACK: BP2-R MODELS

RESOLVER

| | |
|---------------------------|-----------------------------------------------------------------------|
| Type | Brushless, single-speed, 1:1 to 2:1 programmable transformation ratio |
| Resolution | 14 bits (equivalent to a 4096 line quadrature encoder) |
| Reference frequency | 8.0 kHz |
| Reference voltage | 2.8 Vrms, auto-adjustable by the drive to maximize feedback |
| Reference maximum current | 100 mA |
| Maximum RPM | 10,000+ |
| Sin/Cos inputs | Differential, 54k ±1% differential impedance, 2.0 Vrms, BW ≥ 300 kHz |

DIGITAL HALLS

| | |
|--------|---------------------------------------------------------------------------------------------------------------------------------------------------------------------------------------------------------------------------------------------|
| Type | Digital, single-ended, 120° electrical phase difference between U-V-W signals, Schmitt trigger, 1 μs RC filter, 24 Vdc compatible, programmable pull-up/down to +5 Vdc/ground, Vt+ = 2.5~3.5 Vdc, VT- = 1.3~2.2 Vdc, VH = 0.7~1.5 Vdc |
| Inputs | 10 kΩ pullups to +5 Vdc, 1 μs RC filter to Schmitt trigger inverters |

MULTI-MODE ENCODER PORT

| | |
|--------------------|--------------------------------------------------------------------------------------------------------------------------------------------------------------------------------------------------------------------------------------------------------------------------------------------------------------------------------------------------------------------------------|
| As Input | Digital quadrature encoder (A, /A, B, /B, X, /X), 121 Ω terminating resistors between A & /A, B & /B inputs 18 M-counts/sec, post-quadrature (4.5 M-lines/sec). Digital absolute encoder (Clk, /Clk, Dat, /Dat) half or full-duplex operation, 121 Ω terminating resistors (See above for listing of absolute encoder types. EnDat Sin/Cos signals are not supported) |
| As Emulated Output | Quadrature encoder emulation with programmable resolution to 4096 lines (65,536 counts) per rev from resolver, A, /A, B, /B, outputs from MAX3032 differential line driver, X, /X, S, /S outputs from MAC3362 drivers |

ENCODER POWER SUPPLIES

| | |
|-----------------|--------------------------------------------------------------------------------------------------------------------------------------------------------------------------------------|
| Number: Ratings | 2: +5 Vdc, 500 mA max each output, thermal and short-circuit protected |
| Connections | Axis A: J1-17, J1-32, J7-6, J7-17; combined current from these pins cannot exceed 500 mA Axis B: J1-23, J1-38, J8-6, J8-17; combined current from these pins cannot exceed 500 mA |

| | |
|------------|--------------|
| BP2 Models | BP2-R Models |
| BP2-090-06 | BP2-090-06-R |
| BP2-090-14 | BP2-090-14-R |
| BP2-090-20 | BP2-090-20-R |

CANOPEN COMMUNICATIONS

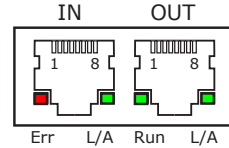
Accelnet uses the CAN physical layer signals CANH, CANL, and GND for connection, and CANopen protocol for communication. Before installing the drive in a CAN system, it must be assigned a CAN address. The maximum allowed nodes on a CAN network is 127, and node 0 is reserved for the CAN master. The Device ID switches can set the BP2 Axis A address from 1 to 126. The Axis B address is then +1 greater than the Axis A address set by the switches.

For more information on CANopen communications, download the CANopen Manual from the Copley web-site: <http://www.copleycontrols.com> > Support > Manuals > CANopen Programmer's Manual

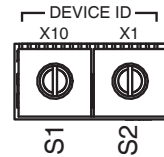
CANOPEN LEDS (ON RJ-45 CONNECTORS)

- L/A** Green: Shows the state of the physical link and activity on the link.
Off = No Link
On = Port open, no activity
On & Flickering = Port open and activity
- RUN** Green: Shows the state of the CAN state machine
Off = Init
Blinking = Pre-operational
Single-flash = Stopped
On = Operational
- ERR** Red: Shows errors such as watchdog timeouts and unsolicited state changes in the BP2 due to local errors.
Off = No errors, communications are working correctly
Blinking = Invalid configuration, general configuration error
Single Flash = Warning limit reached; an error counter of the CAN controller has reached or exceeded the warning level.
Double Flash = A guard event or heartbeat event has occurred
On = Bus off. The CAN controller is bus off.

J3: CANopen PORTS
RJ-45 receptacles,
8 position, 4 contact



| PIN | SIGNAL |
|-----|----------|
| 8 | CAN_V+ |
| 7 | GND |
| 6 | CAN_SHLD |
| 5 | THRU |
| 4 | THRU |
| 3 | CAN_GND |
| 2 | CAN_L |
| 1 | CAN_H |



CANopen Device ID Switch
Decimal values

| Set | S1 | S2 | Set | S1 | S2 |
|-----|-----|----|-----|-----|----|
| Hex | Dec | | Hex | Dec | |
| 0 | 0 | 0 | 8 | 128 | 8 |
| 1 | 16 | 1 | 9 | 144 | 9 |
| 2 | 32 | 2 | A | 160 | 10 |
| 3 | 48 | 3 | B | 176 | 11 |
| 4 | 64 | 4 | C | 192 | 12 |
| 5 | 80 | 5 | D | 208 | 13 |
| 6 | 96 | 6 | E | 224 | 14 |
| 7 | 112 | 7 | F | 240 | 15 |

CANopen ADDRESS

In the BP2, the node address provided by two 16-position rotary switches with hexadecimal encoding. These can set the address of the drive from 0x01~0xFF (1~255 decimal). The chart shows the decimal values of the hex settings of each switch.

Example 1: Find the switch settings for decimal address 107:

- 1) Find the highest number under S1 that is less than 107 and set S1 to the hex value in the same row:
96 < 107 and 112 > 107, so S1 = 96 = Hex C
- 2) Subtract 96 from the desired address to get the decimal value of switch S2 and set S2 to the Hex value in the same row:
S2 = (107 - 96) = 11 = Hex B

INDICATORS: DRIVE STATE

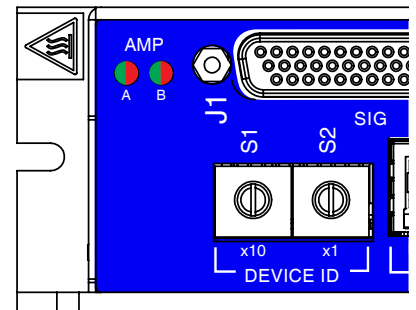
Two bi-color LEDs give the state of the BP2 drive. Colors do not alternate, and can be solid ON or blinking. When multiple conditions occur, only the top-most condition will be displayed. When that condition is cleared the next one below will shown.

- 1) Red/Blinking = Latching fault. Operation will not resume until drive is Reset.
- 2) Red/Solid = Transient fault condition. Drive will resume operation when the condition causing the fault is removed.
- 3) Green/Double-Blinking = STO circuit active, drive outputs are Safe-Torque-Off
- 4) Green/Slow-Blinking = Drive OK but NOT-enabled. Will run when enabled.
- 5) Green/Fast-Blinking = Positive or Negative limit switch active. Drive will only move in direction not inhibited by limit switch.
- 7) Green/Solid = Drive OK and enabled. Will run in response to reference inputs or CANopen commands.

Latching Faults

- Defaults
 - Short circuit (Internal or external)
 - Drive over-temperature
 - Motor over-temperature
 - Feedback Error
 - Following Error
- Optional (programmable)
 - Over-voltage
 - Under-voltage
 - Motor Phasing Error
 - Command Input Fault

AMP LEDS &
DEVICE ID
SWITCHES



COMMUNICATIONS: RS-232 SERIAL

BP2 is configured via a three-wire, full-duplex DTE RS-232 port that operates from 9600 to 115,200 Baud, 8 bits, no parity, and one stop bit. Signal format is full-duplex, 3-wire, DTE using RxD, TxD, and Gnd. Connections to the BP2 RS-232 port are through J4, an RJ-11 connector. The BP2 Serial Cable Kit (SER-CK) contains a modular cable, and an adapter that connects to a 9-pin, Sub-D serial port connector (COM1, COM2, etc.) on PC's and compatibles.

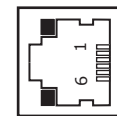
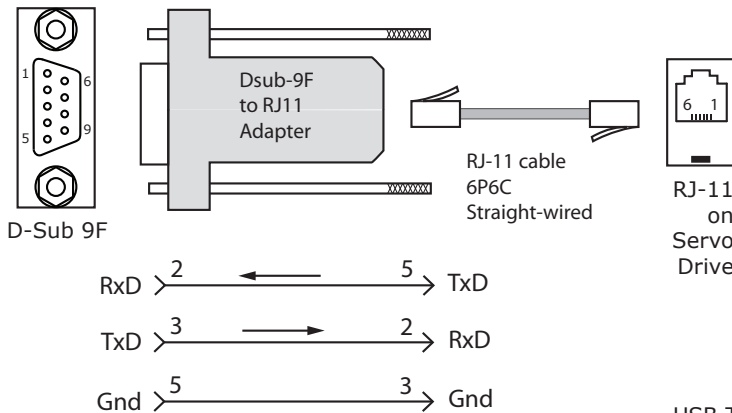
After power-on, reset, or transmission of a Break character, the Baud rate will be 9,600. Once communication has been established at this speed, the Baud rate can be changed to a higher rate (19,200, 57,600, 115,200).

SER-CK SERIAL CABLE KIT

The SER-CK provides connectivity between a D-Sub 9 male connector and the RJ-11 connector on the BP2. It includes an adapter that plugs into the COM1 (or other) port of a PC and uses common modular cable to connect to the BP2. The connections are shown in the diagram below.

J4: RS-232 PORT

RJ-11 receptacle, 6 position, 4 contact



| PIN | SIGNAL |
|-----|--------|
| 2 | RxD |
| 3,4 | Gnd |
| 5 | TxD |



Don't forget to order a Serial Cable Kit SER-CK when placing your order for a BP2!

USB TO RS-232 ADAPTERS

These may or may not have the speed to work at the 115,200 Baud rate which gives the best results with CME2. Users have reported that adapters using the FTDI chipset work well with CME2

ASCII COMMUNICATIONS

The Copley ASCII Interface is a set of ASCII format commands that can be used to operate and monitor Copley Controls Accelnet, Stepnet, and BP2 series amplifiers over an RS-232 serial connection. For instance, after basic amplifier configuration values have been programmed using CME 2, a control program can use the ASCII Interface to:

- Enable the amplifier in Programmed Position mode.
- Home the axis.
- Issue a series of move commands while monitoring position, velocity, and other run-time variables.

The Baud rate defaults to 9,600 after power-on or reset and is programmable up to 115,200 thereafter. After power-on, reset, or transmission of a Break character, the Baud rate will be 9,600. Once communication has been established at this speed, the Baud rate can be changed to a higher rate (19,200, 57,600, 115,200).

ASCII parameter 0x90 holds the Baud rate data. To set the rate to 115,200 enter this line from a terminal:

```
s r0x90 115200 <enter>
```

Then, change the Baud rate in the computer/controller to the new number and communicate at that rate.

Additional information can be found in the ASCII Programmers Guide on the Copley website:

http://www.copleycontrols.com/Motion/pdf/ASCII_ProgrammersGuide.pdf

SAFE TORQUE OFF (STO)

The Safe Torque Off (STO) function is defined in IEC 61800-5-2. Two channels are provided which, when de-energized, prevent the upper and lower devices in the PWM outputs from being operated by the digital control core.

This provides a positive OFF capability that cannot be overridden by the control firmware, or associated hardware components. When the opto-couplers are energized (current is flowing in the input diodes), the control core will be able to control the on/off state of the PWM outputs.

INSTALLATION

Refer to the 16-01338 Accelnet & Stepnet Plus Panels STO Manual for further details

The information provided in the 16-01338 Accelnet & Stepnet Plus Panels STO Manual must be considered for any application using the BP2 drive's STO feature.

FAILURE TO HEED THIS WARNING CAN CAUSE EQUIPMENT DAMAGE, INJURY, OR DEATH.



STO BYPASS (MUTING)

In order for the PWM outputs of the BP2 to be activated, current must be flowing through all of the opto-couplers that are connected to the STO-IN1 and STO-IN2 terminals of J6, and the drive must be in an ENABLED state. When the opto-couplers are OFF, the drive is in a Safe Torque Off (STO) state and the PWM outputs cannot be activated by the control core to drive a motor.

This diagram shows connections that will energize all of the opto-couplers from an internal current-source. When this is done the STO feature is overridden and control of the output PWM stage is under control of the digital control core. **If not using the STO feature, these connections must be made in order for the BP2 to be enabled.**

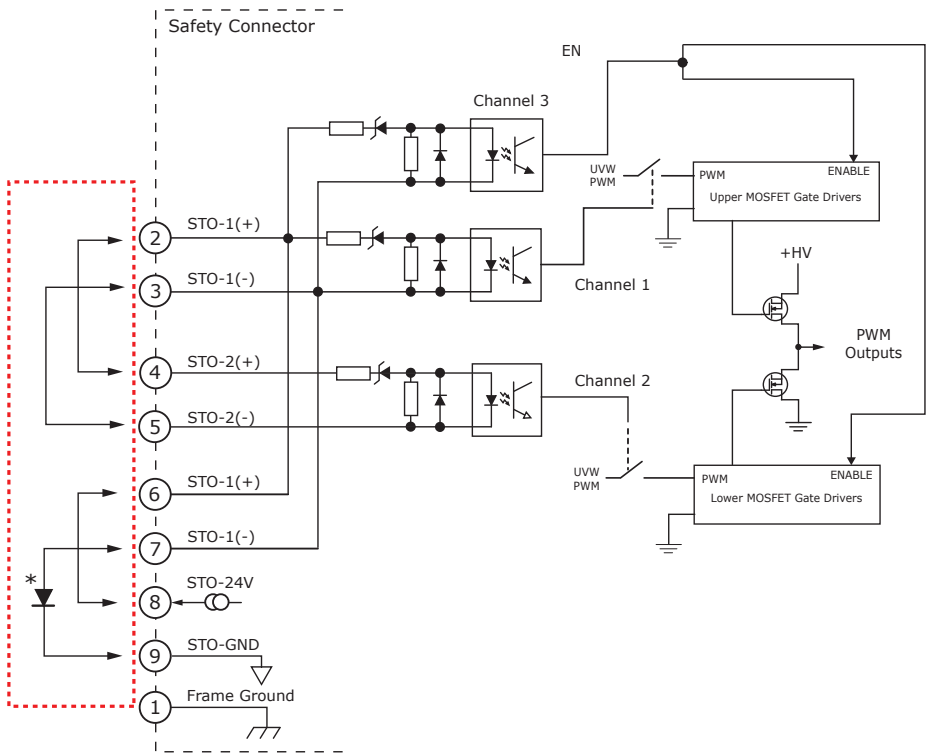
FUNCTIONAL DIAGRAM



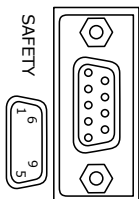
Current must flow through all of the opto-couplers before the drive can be enabled

* STO bypass connections on the BP2 and Xenus XEL-XPL models are different. If both drives are installed in the same cabinet, the diode should be wired as shown to prevent damage that could occur if the STO bypass connectors are installed on the wrong drive. The diode is not required for STO bypass on the BP2 and can be replaced by a wire between pins 7 and 9.

STO BYPASS CONNECTIONS



SAFETY CONNECTOR J6



CONNECTIONS

| PIN | SIGNAL | PIN | SIGNAL |
|-----|-----------|-----|----------|
| 1 | Frame Gnd | 6 | STO-1(+) |
| 2 | STO-1(+) | 7 | STO-1(-) |
| 3 | STO-1(-) | 8 | STO-24V |
| 4 | STO-2(+) | 9 | STO-GND |
| 5 | STO-2(-) | | |

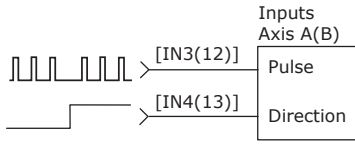
DIGITAL COMMAND INPUTS: POSITION

POSITION COMMAND INPUTS

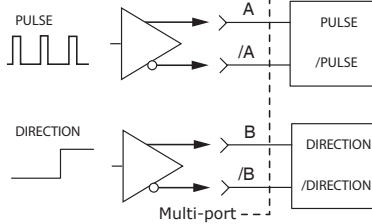
Single-ended digital position commands must be sourced from devices with active pull-up and pull-down to take advantage of the high-speed inputs.

For differential commands, the A & B channels of the multi-mode encoder ports are used.

SINGLE-ENDED PULSE & DIRECTION



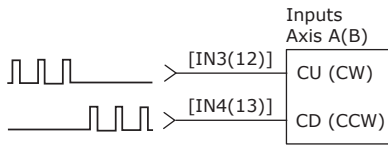
DIFFERENTIAL PULSE & DIRECTION



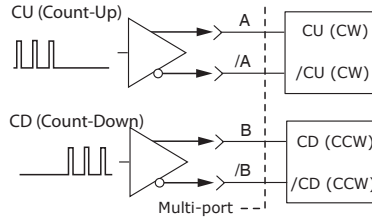
SINGLE-ENDED: IN3, 4, 12, 13

| Signal | Axis A | Axis B |
|--------------------------|---------------------|--------|
| [IN3(12)] Pls, CU, Enc A | J1-9 | J1-14 |
| [IN4(13)] Dir, CD, Enc B | J1-10 | J1-15 |
| Signal Ground | J1-6,16,22,31,37,44 | |
| Frame Ground | J1-1 | |

SINGLE-ENDED CU/CD



DIFFERENTIAL CU/CD



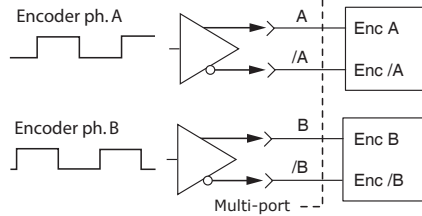
DIFFERENTIAL: MULTI-PORT A, /A, B, /B

| Signal | Axis A | Axis B |
|----------------------------|---------------------|--------|
| [Enc A] Pls, CU, Enc A | J1-36 | J1-42 |
| [Enc /A] /Pls, /CU, Enc /A | J1-21 | J1-27 |
| [Enc B] Dir, CD, Enc B | J1-35 | J1-41 |
| [Enc /B] /Dir, /CD, Enc /B | J1-20 | J1-26 |
| Signal Ground | J1-6,16,22,31,37,44 | |
| Frame Ground | J1-1 | |

QUAD A/B ENCODER SINGLE-ENDED



QUAD A/B ENCODER DIFFERENTIAL

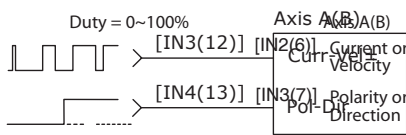


DIGITAL COMMAND INPUTS: VELOCITY, TORQUE

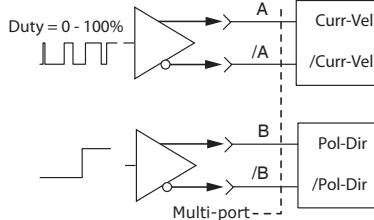
Single-ended digital torque or velocity commands must be sourced from devices with active pull-up and pull-down to take advantage of the high-speed inputs.

For differential commands, the A & B channels of the multi-mode encoder ports are used.

SINGLE-ENDED PWM & DIRECTION



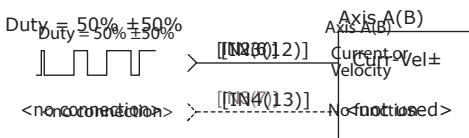
DIFFERENTIAL PWM & DIRECTION



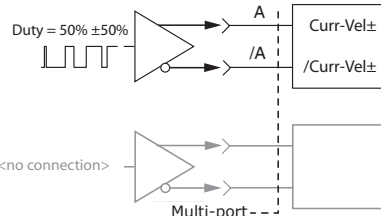
SINGLE-ENDED: IN3, 4, 12, 13

| Signal | Axis A | Axis B |
|-----------------------|---------------------|--------|
| [IN3(12)] Curr-Vel± | J1-9 | J1-14 |
| [IN4(13)] / Curr-Vel± | J1-10 | J1-15 |
| Signal Ground | J1-6,16,22,31,37,44 | |
| Frame Ground | J1-1 | |

SINGLE-ENDED 50% PWM



DIFFERENTIAL 50% PWM



DIFFERENTIAL: MULTI-PORT A, /A, B, /B

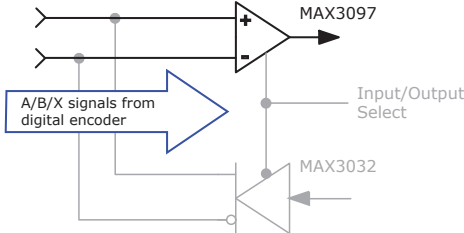
| Signal | Axis A | Axis B |
|---------------------|---------------------|--------|
| [Enc A] Curr-Vel± | J1-36 | J1-42 |
| [Enc /A] /Curr-Vel± | J1-21 | J1-27 |
| [Enc B] Pol-Dir | J1-35 | J1-41 |
| [Enc /B] /Pol-Dir | J1-20 | J1-26 |
| Signal Ground | J1-6,16,22,31,37,44 | |
| Frame Ground | J1-1 | |

MULTI-MODE PORT AS AN INPUT

INPUT TYPES

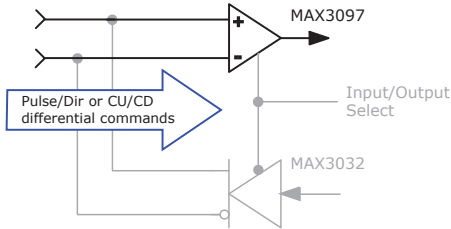
POSITION COMMAND INPUTS: DIFFERENTIAL

- Pulse & Direction
- CW & CCW (Clockwise & Counter-Clockwise)
- Encoder Quad A & B
- Camming Encoder A & B input



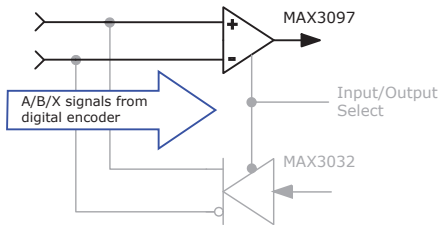
CURRENT or VELOCITY COMMAND INPUTS: DIFFERENTIAL

- Current or Velocity & Direction
- Current or Velocity (+) & Current or Velocity (-)



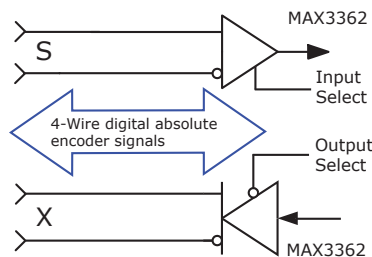
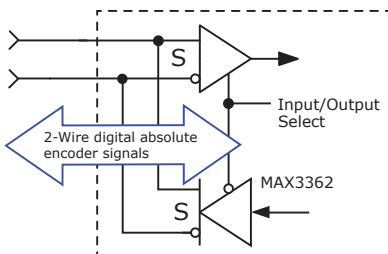
SECONDARY FEEDBACK: INCREMENTAL

- Quad A/B/X incremental encoder



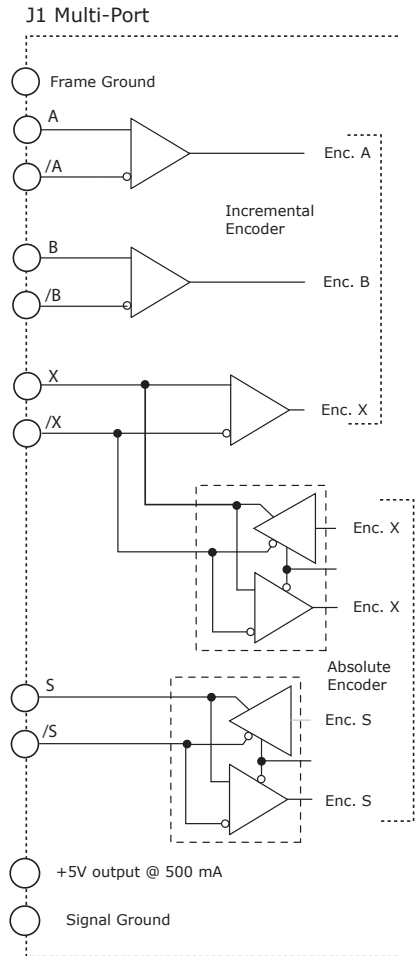
SECONDARY FEEDBACK: ABSOLUTE

- S channel: Absolute A encoders (2-wire)
The S channel first sends a Clock signal and then receives Data from the encoder in half-duplex mode.
- S & X channels: SSI, BiSS, EnDat encoders (4-wire)
The X channel sends the Clock signal to the encoder, which initiates data transmission from the encoder on the S-channel in full-duplex mode



SIGNALS & PINS

| Signal | Axis A J1 | Axis B J1 |
|---------------------------------|-----------------------|-----------|
| Pulse, CW, Encoder A | 36 | 42 |
| /Pulse, /CW, Encoder /A | 21 | 27 |
| Direction, CCW, Encoder B | 35 | 41 |
| /Direction, /CCW, Encoder /B | 20 | 26 |
| Quad Enc X, Absolute Clock | 34 | 40 |
| Quad Enc /X, /Absolute Clock | 19 | 25 |
| Enc S, Absolute (Clock) Data | 33 | 39 |
| Enc /S, / Absolute (Clock) Data | 18 | 24 |
| Signal Ground | 6, 16, 22, 31, 37, 44 | |
| Frame Ground | | 1 |



MULTI-MODE PORT AS AN OUTPUT

OUTPUT TYPES

BUFFERED FEEDBACK OUTPUTS: DIFFERENTIAL

- Encoder Quad A, B, X channels
- Direct hardware connection between quad A/B/X encoder feedback and differential line drivers for A/B/X outputs

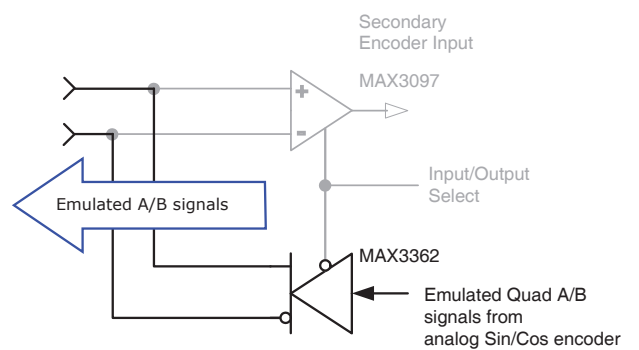
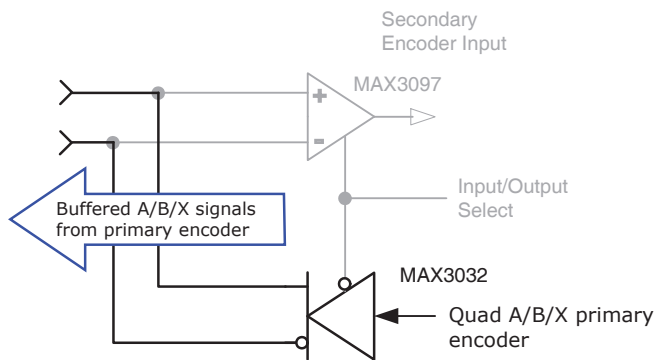
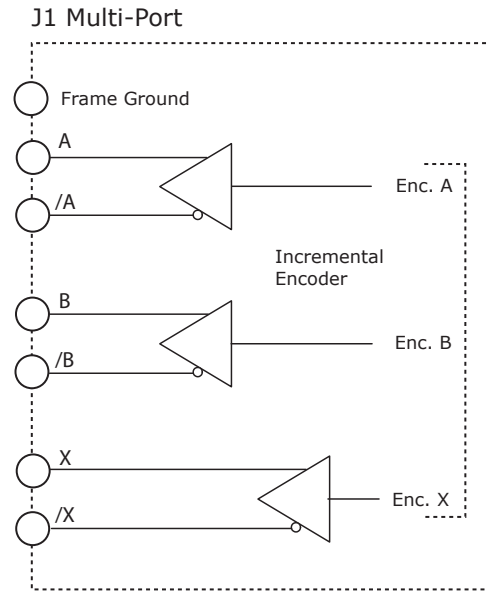
EMULATED FEEDBACK OUTPUTS: DIFFERENTIAL

Firmware produces emulated quad A/B signals from feedback data from the following devices:

- Absolute encoders
- Resolvers (-R option)
- Analog Sin/Cos incremental encoders

SIGNALS & PINS

| Signal | Axis A J1 | Axis B J1 |
|---------------|-----------------------|--------------|
| Encoder A | 36 | 42 |
| Encoder /A | 21 | 27 |
| Encoder B | 35 | 41 |
| Encoder /B | 20 | 26 |
| Encoder X | 34 | 40 |
| Encoder /X | 19 | 25 |
| Encoder S | 33 | 39 |
| Encoder /S | 18 | 24 |
| Signal Ground | 6, 16, 22, 31, 37, 44 | |
| Frame Ground | 1 | |

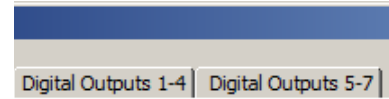


CME2 DEFAULTS

These tables show the CME2 default settings. They are user-programmable and the settings can be saved to non-volatile flash memory.



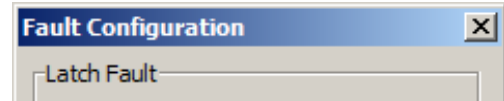
| Axis A | Config | PU/PD | Axis B | Config | PU/PD |
|--------|---------------------|-------------|--------|---------------------|-------------|
| IN1 | Enable-LO | +5V or Sgnd | *IN10 | Enable-LO | +5V or Sgnd |
| IN2 | Not Configured | | *IN11 | Not Configured | |
| IN3 | | | *IN12 | | |
| IN4 | | | *IN13 | | |
| IN5 | Opto Not Configured | | IN14 | Opto Not Configured | |
| IN6 | | | | | |
| IN7 | | | | | |
| IN8 | | | | | |
| IN9 | Motemp | +5V | IN18 | Motemp | +5V |



| Axis A | Axis B | Notes |
|--------|----------------|------------------|
| OUT1 | OUT2 | Fault Active-OFF |
| OUT3 | Not Configured | |
| OUT4 | | |
| OUT5 | | |
| OUT6 | OUT7 | Brake Active-HI |



| Axes A, B | Notes |
|--------------------------|---------------------------------------|
| Analog: Reference Filter | Disabled |
| Vloop: Input Filter | Disabled |
| Vloop: Output Filter 1 | Low Pass, Butterworth, 2-pole, 200 Hz |
| Vloop: Output Filter 2 | Disabled |
| Vloop: Output Filter 3 | Disabled |
| Iloop: Input Filter 1 | Disabled |
| Iloop: Input Filter 2 | Disabled |
| Input Shaping | Disabled |



| Axis A | Axis B | Notes |
|--------|--------|---------------------------|
| ✓ | ✓ | Short Circuit |
| ✓ | ✓ | Amp Over Temp |
| ✓ | ✓ | Motor Over Temp |
| | | Over Voltage |
| | | Under Voltage |
| | | Motor Wiring Disconnected |
| | | STO Active |

OPTIONAL FAULTS

| | | |
|--|--|------------------------|
| | | Over Current (Latched) |
|--|--|------------------------|



| Axes A, B | Notes |
|-----------|------------------------------|
| Method | Set Current Position as Home |

HIGH SPEED INPUTS: IN1, IN2, IN10, IN11

- Digital, non-isolated, high-speed
- Programmable pull-up/pull-down
- 24V Compatible
- Programmable functions

SPECIFICATIONS

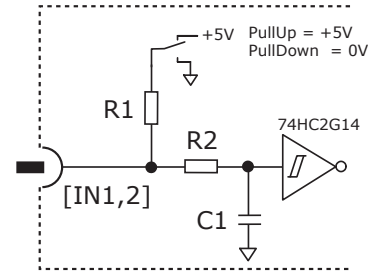
| Input | Data | Notes |
|-----------------|-----------------|------------------------|
| Input Voltages | HI | VT+ = 2.5~3.5 Vdc |
| | LO | VT- = 1.3~2.2 Vdc |
| | VH ¹ | VH = ±0.7~1.5 Vdc |
| | Max | +30 Vdc |
| | Min | 0 Vdc |
| Pull-up/down | R1 | 15 kΩ |
| Low pass filter | R2 | 15 kΩ |
| | C1 | 100 pF |
| Input Current | 24V | 1.3 mA _{dc} |
| | 0V | -0.33 mA _{dc} |
| Time constant | RC ² | 1.5 μs |

CONNECTIONS

| Input | Pin |
|-------|--------------------------|
| IN1 | J1-7 |
| IN2 | J1-8 |
| IN10 | J1-12 |
| IN11 | J1-13 |
| Sgnd | J1-6, 16, 22, 31, 37, 44 |

- Notes:
- 1) VH is hysteresis voltage (VT+) - (VT-)
 - 2) The R2*C2 time constant applies when input is driven by active HI/LO devices

FEEDBACK CONNECTOR



SINGLE-ENDED/DIFFERENTIAL INPUTS: IN3, IN4, IN12, IN13

- Digital, non-isolated, high-speed
- Programmable pull-up/pull-down
- 12V Compatible
- Single-ended or Differential
- Programmable functions

SPECIFICATIONS

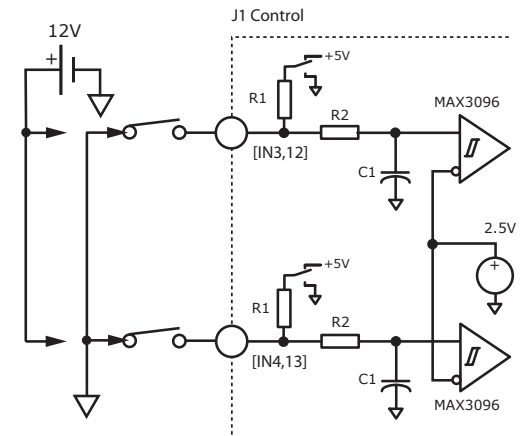
| Input | Data | Notes |
|------------------------------------------|-----------------|-------------------------------|
| Input Voltages Single-ended | HI | V _{in} ≥ 2.7 Vdc |
| | LO | V _{in} ≤ 2.3 Vdc |
| | VH ¹ | 45 mVdc typ |
| Input Voltages Differential ³ | HI | V _{diff} ≥ +200 mVdc |
| | LO | V _{diff} ≤ -200 mVdc |
| | VH | ±45 mVdc typ |
| Common mode | V _{cm} | 0 to +12 Vdc |
| Pull-up/down | R1 | 10 kΩ |
| Low pass filter | R2 | 1 kΩ |
| | C1 | 100 pF |
| Time constant | RC ² | 100 ns |

- Notes:
- 1) VH is hysteresis voltage IN2 - IN3 or IN12 - IN13
 - 2) The R2*C2 time constant applies when input is driven by active HI/LO devices
 - 3) V_{diff} = AINn(+) - AINn(-)
n = 1 for Axis A, 2 for Axis B

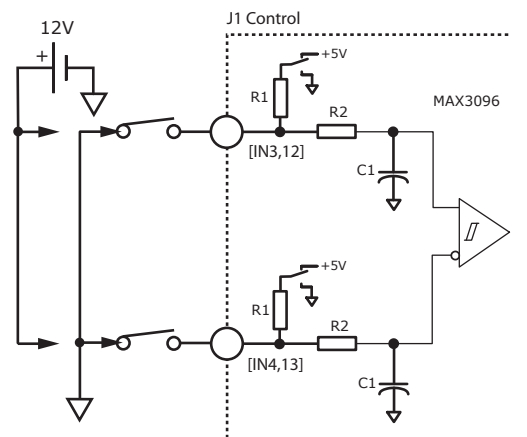
CONNECTIONS

| S.E. | DIFF | Pin |
|------|-------|--------------------------|
| IN3 | IN3+ | J1-9 |
| IN4 | IN3- | J1-10 |
| IN12 | IN12+ | J1-14 |
| IN13 | IN12- | J1-15 |
| Sgnd | | J1-6, 16, 22, 31, 37, 44 |

SINGLE-ENDED



DIFFERENTIAL



MOTOR OVERTEMP INPUTS: IN9, IN18

- Digital, non-isolated
- Motor overtemp inputs
- 12V Compatible
- Programmable functions

SPECIFICATIONS

| Input | Data | Notes |
|-----------------|------|-----------------------|
| Input Voltages | HI | Vin ≥ 3.5 Vdc |
| | LO | Vin ≤ 0.7 Vdc |
| | Max | +12 Vdc |
| | Min | 0 Vdc |
| Pull-up/down | R1 | 4.99 kΩ |
| Input Current | 12V | 1.4 mA _{dc} |
| | 0V | -1.0 mA _{dc} |
| Low pass filter | R2 | 10 kΩ |
| | C1 | 33 nF |
| Time constant | Te | 330 μs * |

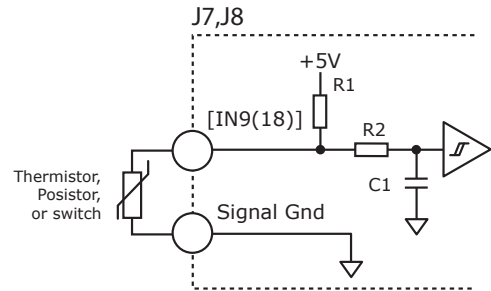
* RC time constant applies when inputs are driven by active high/low devices

CONNECTIONS

| Input | Pin |
|-------|--------------------|
| IN9 | J7-7 |
| IN18 | J8-7 |
| Sgnd | J7,8-5, 16, 25, 26 |

MOTOR OVER TEMP INPUT

The 4.99k pull-up resistor works with PTC (positive temperature coefficient) thermistors that conform to BS 4999:Part 111:1987, or switches that open/close indicating a motor over-temperature condition. The active level is programmable.



BS 4999:PART 111:1987

| Property | Ohms |
|---------------------------------------------------|--------|
| Resistance in the temperature range 20°C to +70°C | 60~750 |
| Resistance at 85°C | ≤1650 |
| Resistance at 95°C | ≥3990 |
| Resistance at 105°C | ≥12000 |

OPTO-ISOLATED INPUTS: IN5, IN6, IN7, IN8, IN14, IN15, IN16, IN17

- Digital, opto-isolated
- 2 Groups of four, each with own Common terminal
- Works with current sourcing or sinking drivers
- 24V Compatible
- Programmable functions

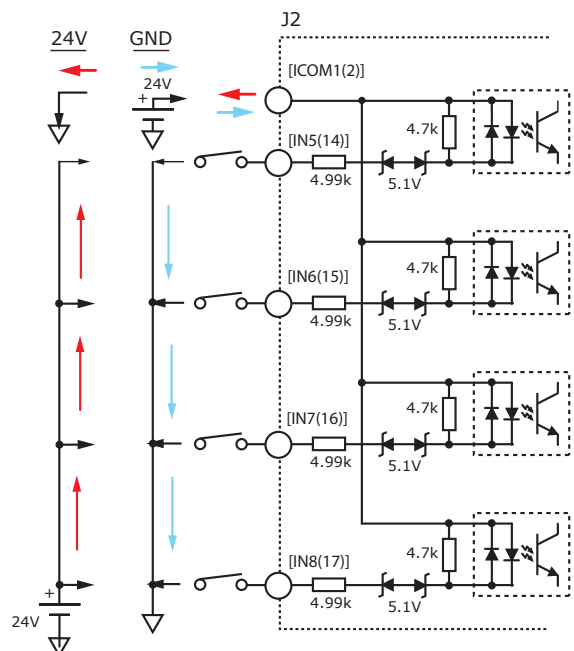
SPECIFICATIONS

| Input | Data | Notes |
|----------------|------|-----------------------|
| Input Voltages | HI | Vin ≥ ±10.0 Vdc * |
| | LO | Vin ≤ ±6 Vdc * |
| | Max | ±30 Vdc * |
| Input Current | ±24V | ±3.6 mA _{dc} |
| | 0V | 0 mA _{dc} |

* Vdc Referenced to ICOM terminals.

CONNECTIONS

| Signal | Pins | Signal | Pins |
|--------|------|--------|-------|
| IN5 | J2-2 | IN14 | J2-7 |
| IN6 | J2-3 | IN15 | J2-8 |
| IN7 | J2-4 | IN16 | J2-9 |
| IN8 | J2-5 | IN17 | J2-18 |
| ICOM1 | J2-6 | ICOM2 | J2-17 |



ANALOG INPUTS: AIN1, AIN2

- ±10 Vdc, differential
- 12-bit resolution
- Programmable functions

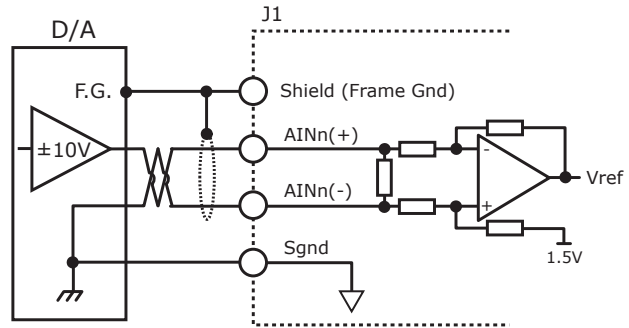
The analog inputs have a ±10 Vdc range at 12-bit resolution. As reference inputs they can take position/velocity/torque commands from a controller. If not used as command inputs, they can be used as general-purpose analog inputs.

SPECIFICATIONS

| Spec | Data | Notes |
|------------------|------|---------|
| Input Voltage | Vref | ±10 Vdc |
| Input Resistance | Rin | 5.05 kΩ |

CONNECTIONS

| Signal | Pins | |
|--------|--------------------------|--------|
| | Axis A | Axis B |
| AIN(+) | J1-3 | J1-5 |
| AIN(-) | J1-2 | J1-4 |
| Sgnd | J1-6, 16, 22, 31, 37, 44 | |

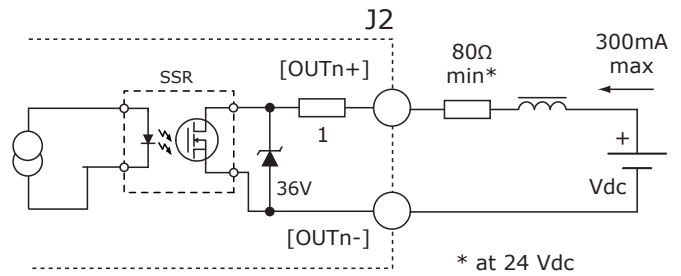


OPTO-ISOLATED OUTPUTS: OUT1, OUT2, OUT3, OUT4, OUT5

- Digital, opto-isolated
- MOSFET output SSR, 2-terminal
- Flyback diodes for inductive loads
- 24V Compatible
- Programmable functions

SPECIFICATIONS

| Output | Data | Notes |
|-------------------------------|------------------|------------------------------|
| ON Voltage OUT(+) - OUT(-) | Vdc | 0.85V @ 300 mA _{dc} |
| Output Current | I _{out} | 300 mA _{dc} max |



CONNECTIONS

| Signal | (+) | (-) |
|--------|-------|-------|
| OUT1 | J2-19 | J2-10 |
| OUT2 | J2-20 | J2-11 |
| OUT3 | J2-21 | J2-12 |
| OUT4 | J2-22 | J2-13 |
| OUT5 | J2-23 | J2-14 |

HI/LO DEFINITIONS: OUTPUTS

| Input | State | Condition |
|--------|-------|-------------------------------------|
| OUT1~5 | HI | Output SSR is ON, current flows |
| | LO | Output SSR is OFF, no current flows |

OPTO-ISOLATED MOTOR BRAKE OUTPUTS: OUT6, OUT7

- Brake outputs
- Opto-isolated
- Flyback diodes for inductive loads
- 24V Compatible
- Connection for external 24V power supply
- Programmable functions

SPECIFICATIONS

| Output | Data | Notes |
|----------------|------|---------|
| Voltage Range | Max | +30 Vdc |
| Output Current | Ids | 1.0 Adc |

HI/LO DEFINITIONS: OUTPUTS

| Input | State | Condition |
|-------------------|-------|--------------------------------------------------------------------------------------------------------------------|
| BRK-A,B OUT6,7 | HI | Output transistor is OFF Brake is un-powered and locks motor Motor cannot move Brake state is Active |
| | LO | Output transistor is ON Brake is powered, releasing motor Motor is free to move Brake state is NOT-Active |

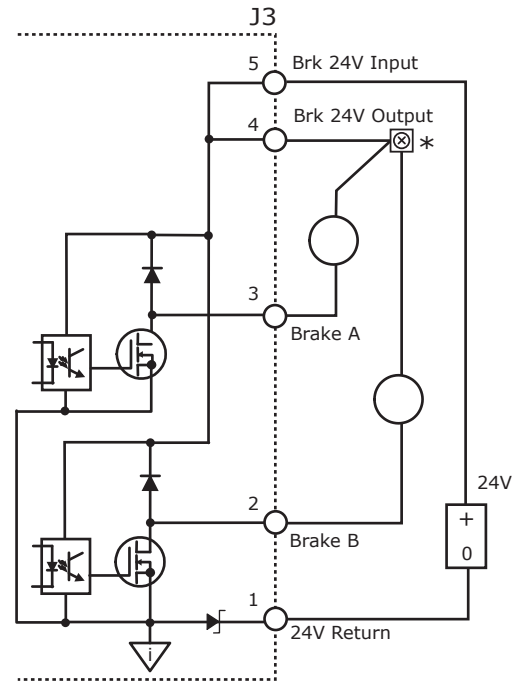
CME2 Default Setting for Brake Outputs [OUT6,7] is "Brake - Active HI"
Active = Brake is holding motor shaft (i.e. the Brake is Active)

Motor cannot move
No current flows in coil of brake
CME2 I/O Line States shows Output 6 or 7 as HI
BRK Output voltage is HI (24V), MOSFET is OFF
Servo drive output current is zero
Servo drive is disabled, PWM outputs are off

Inactive = Brake is not holding motor shaft (i.e. the Brake is Inactive)

Motor can move
Current flows in coil of brake
CME2 I/O Line States shows Output 6 or 7 as LO
BRK output voltage is LO (~0V), MOSFET is ON
Servo drive is enabled, PWM outputs are on
Servo drive output current is flowing

*
There should be only one conductor in each position of the J3 connector. If brakes are to be wired directly to J3 for their 24V power, use a double wire ferrule for J3-4. Information for ferrules can be found on page 27.

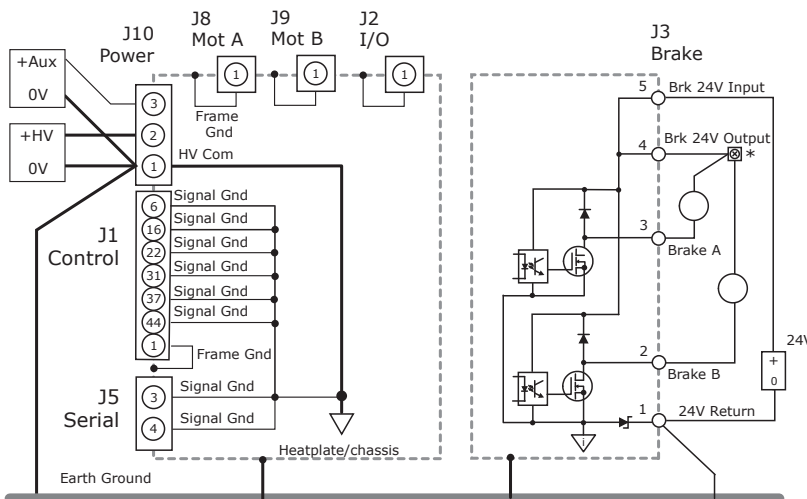


The brake circuits are optically isolated from all drive circuits and frame ground.

CONNECTIONS

| Pin | Signal |
|-----|----------------|
| 5 | Brk 24V Input |
| 4 | Brk 24V Output |
| 3 | Brake A [OUT6] |
| 2 | Brake B [OUT7] |
| 1 | 24V Return |

This diagram shows the connections to the drive that share a common ground in the driver. If the brake 24V power supply is separate from the DC supply powering the drive, it is important that it connects to an earth or common grounding point with the HV power supply.



Earthing connections for power supplies should be as close as possible to eliminate potential differences between power supply 0V terminals.

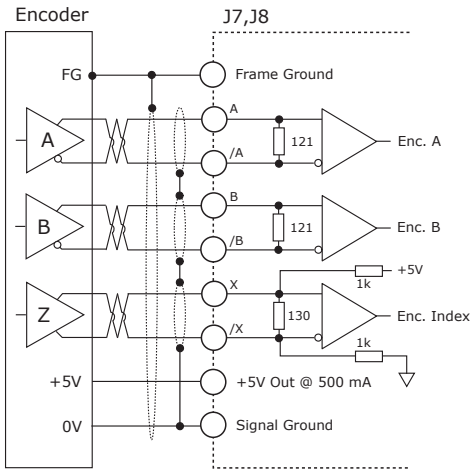
FEEDBACK CONNECTIONS

QUAD A/B/X ENCODER WITH SIGNAL LOSS DETECTION

Encoders with differential line-driver outputs are required (single-ended encoders are not supported) and provide incremental position feedback via the A/B signals and the optional index signal (X) gives a once per revolution position mark. The MAX3097 receiver has differential inputs with fault protections for the following conditions:

| Condition | Example |
|------------------|---------------------------------------------------------------------------------------------------|
| Line-line shorts | A shorted to /A |
| Open-circuits: | A disconnected, /A connected. Terminator resistor pulls A & /A together for a short-circuit fault |
| Low-voltage | Va - Vb ≤ 200 mV, or ≥ -200 mV Encoder power loss, cabling, etc. |

QUAD ENCODER WITH INDEX

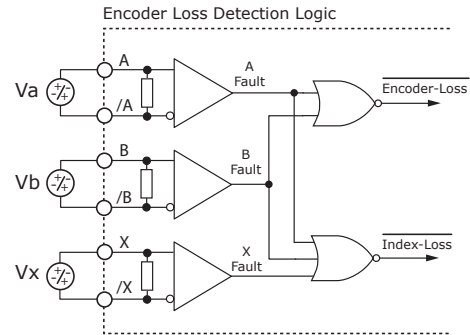


A/B/X SIGNALS

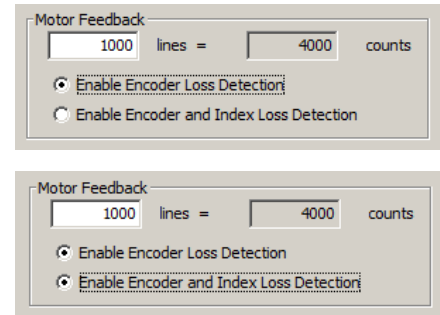
| Signal | J7,J8 Pin |
|--------|---------------|
| Enc A | 13 |
| Enc /A | 12 |
| Enc B | 11 |
| Enc /B | 10 |
| Enc X | 9 |
| Enc /X | 8 |
| +5V | 6, 17 |
| Sgnd | 5, 16, 25, 26 |
| F.G. | 1 |

Sgnd = Signal Ground
F.G. = Frame Gnd

SIGNAL LOSS DETECTION LOGIC

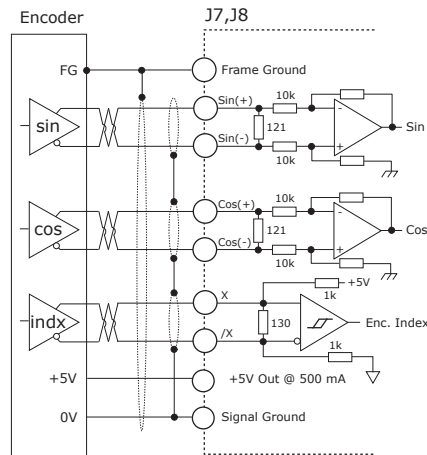


CME2 FEEDBACK OPTIONS



ANALOG SIN/COS INCREMENTAL ENCODER

The sin/cos inputs are analog differential with 121 Ω terminating resistors and accept 1 Vp-p signals in the format used by incremental encoders with analog outputs, or with ServoTube motors. The index input is digital, differential.



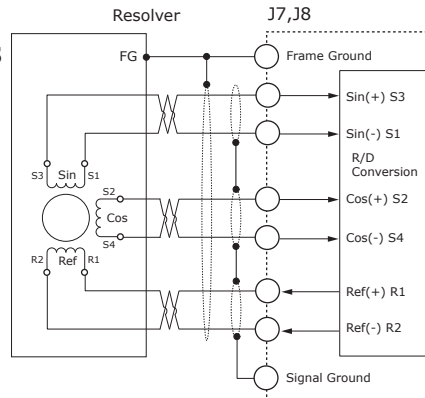
SIN/COS SIGNALS

| Signal | J7,J8 Pin |
|--------|---------------|
| Sin(+) | 19 |
| Sin(-) | 18 |
| Cos(+) | 21 |
| Cos(-) | 20 |
| X | 9 |
| /X | 8 |
| +5V | 6, 17 |
| Sgnd | 5, 16, 25, 26 |
| F.G. | 1 |

Sgnd = Signal Ground
F.G. = Frame Gnd

RESOLVER (-R OPTION)

Connections to the resolver should be made with double-shielded cable that uses three twisted-pairs plus an outer shield. Once connected, resolver set up, motor phasing, and other commissioning adjustments are made with CME 2 software. There are no hardware adjustments.



RESOLVER SIGNALS

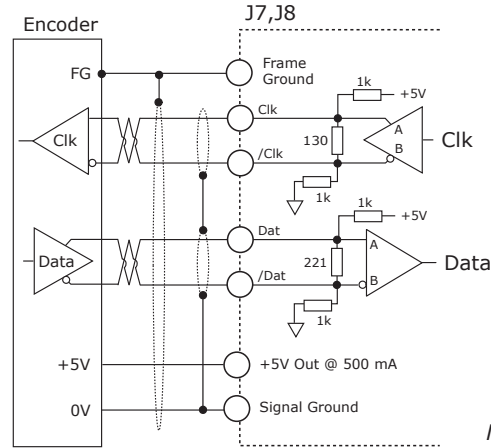
| Signal | J7,J8 Pin |
|--------|---------------|
| Sin(+) | S3 19 |
| Sin(-) | S1 18 |
| Cos(+) | S2 21 |
| Cos(-) | S4 20 |
| Ref(+) | R1 23 |
| Ref(-) | R2 22 |
| Sgnd | 5, 16, 25, 26 |
| F.G. | 1 |

Sgnd = Signal Ground
F.G. = Frame Gnd

FEEDBACK CONNECTIONS

SSI ABSOLUTE ENCODER

The SSI (Synchronous Serial Interface) is an interface used to connect an absolute position encoder to a motion controller or control system. The XEL drive provides a train of clock signals in differential format to the encoder which initiates the transmission of the position data on the subsequent clock pulses. The polling of the encoder data occurs at the current loop frequency (16 kHz). The number of encoder data bits and counts per motor revolution are programmable. The hardware bus consists of two signals: SCLK and SDATA. Data is sent in 8 bit bytes, LSB first. The SCLK signal is only active during transfers. Data is clocked out on the falling edge and clock in on the rising edge of the Master.



SSI, BiSS SIGNALS

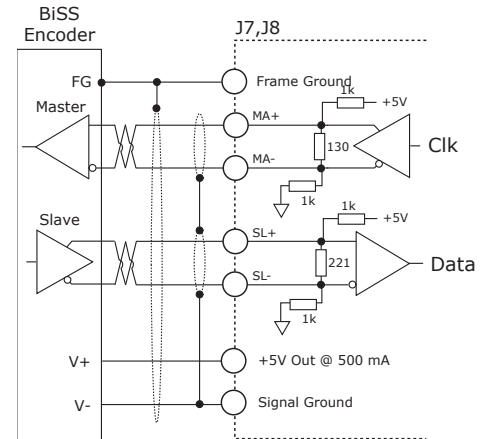
| SSI | BiSS | J7, J8 Pin |
|---------------|------|---------------|
| Clk | MA+ | 9 |
| /Clk | MA- | 8 |
| Data | SL+ | 15 |
| /Data | SL- | 14 |
| +5V | | 6, 17 |
| Signal Ground | | 5, 16, 25, 26 |
| Frame Gnd | | 1 |

Note: Single (outer) shields should be connected at both ends (motor and drive frame grounds). Inner shields should only be connected to Signal Ground on the drive.

BiSS ABSOLUTE ENCODER

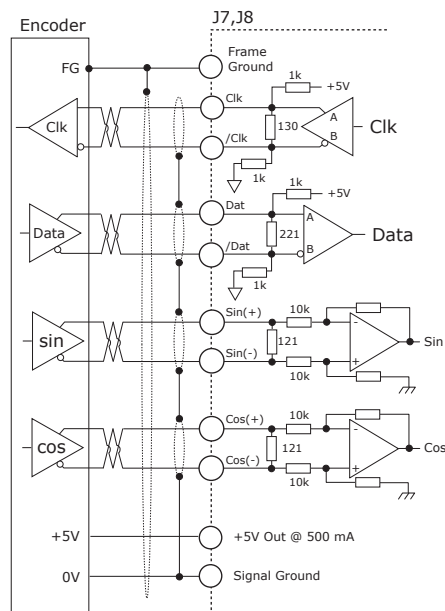
BiSS is an - Open Source - digital interface for sensors and actuators. BiSS refers to principles of well known industrial standards for Serial Synchronous Interfaces like SSI, AS-Interface® and Interbus® with additional options.

- Serial Synchronous Data Communication
- Cyclic at high speed
- 2 unidirectional lines Clock and Data
- Line delay compensation for high speed data transfer
- Request for data generation at slaves
- Safety capable: CRC, Errors, Warnings
- Bus capability incl. actuators
- Bidirectional
- BiSS B-protocol: Mode choice at each cycle start
- BiSS C-protocol: Continuous mode



ENDAT ABSOLUTE ENCODER

The EnDat interface is a Heidenhain interface that is similar to SSI in the use of clock and data signals, but which also supports analog sin/cos channels from the same encoder. The number of position data bits is programmable as is the use of sin/cos channels. Use of sin/cos incremental signals is optional in the EnDat specification.



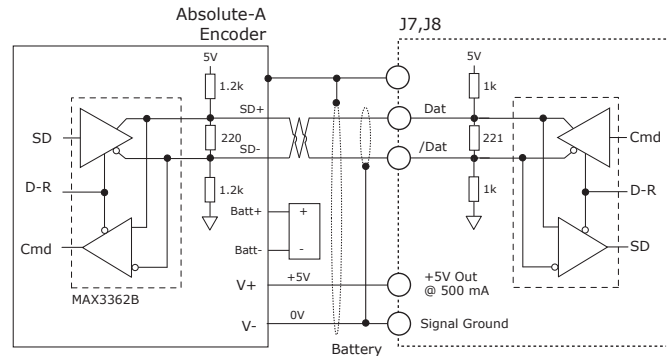
ENDAT SIGNALS

| Signal | J7, J8 Pin |
|--------|---------------|
| Clk | 9 |
| /Clk | 8 |
| Data | 15 |
| /Data | 14 |
| Sin(+) | 19 |
| Sin(-) | 18 |
| Cos(+) | 21 |
| Cos(-) | 20 |
| +5V | 6, 17 |
| Sgnd | 5, 16, 25, 26 |
| F.G. | 1 |

Sgnd = Signal Ground
F.G. = Frame Gnd

ABSOLUTE-A ENCODER

The Absolute A interface is a serial, half-duplex type that is electrically the same as RS-485. Note the battery which must be connected. Without it, the encoder will produce a fault condition.



ABSOLUTE-A SIGNALS

| Signal | J7, J8 Pin |
|--------|---------------|
| Data | 15 |
| /Data | 14 |
| +5V | 6, 17 |
| Sgnd | 5, 16, 25, 26 |
| F.G. | 1 |

Sgnd = Signal Ground
F.G. = Frame Gnd

MOTOR CONNECTIONS

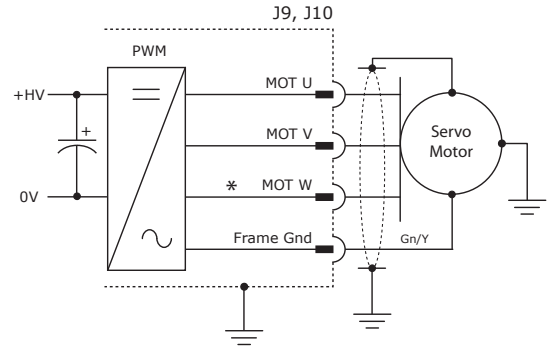
MOTOR PHASE CONNECTIONS

The drive outputs are three-phase PWM inverters that convert the DC buss voltage (+HV) into three sinusoidal voltage waveforms that drive the motor phase-coils. Cable should be sized for the continuous current rating of the motor. Motor cabling should use twisted, shielded conductors for CE compliance, and to minimize PWM noise coupling into other circuits. Further details on motor connections can be found on page 24.

MOTOR SIGNALS

| Signal | J9,J10 Pin |
|-----------|------------|
| Mot U | 4 |
| Mot V | 3 |
| Mot W | 2 |
| Frame Gnd | 1 |

* MOT W not used for DC brush motors

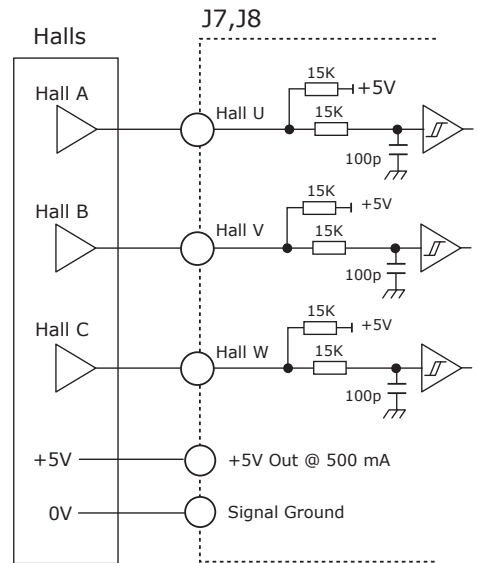


DIGITAL HALL SIGNALS

Hall signals are single-ended signals that provide absolute feedback within one electrical cycle of the motor. There are three of them (U, V, & W) and they may be sourced by magnetic sensors in the motor, or by encoders that have Hall tracks as part of the encoder disc. They typically operate at much lower frequencies than the motor encoder signals, and are used for commutation-initialization after startup, and for checking the motor phasing after the amplifier has switched to sinusoidal commutation.

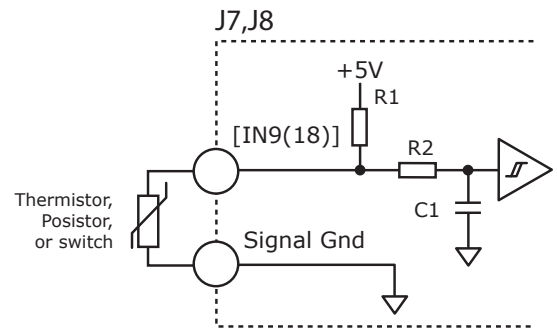
HALL SIGNALS

| Signal | J7,J8 Pin |
|-----------|---------------|
| Hall U | 2 |
| Hall V | 3 |
| Hall W | 4 |
| +5V | 6, 17 |
| Sgnd | 5, 16, 25, 26 |
| Frame Gnd | 1 |



MOTOR OVER TEMP INPUT

The 4.99k pull-up resistor works with PTC (positive temperature coefficient) thermistors that conform to BS 4999:Part 111:1987 (table below), or switches that open/close indicating a motor over-temperature condition. The active level is programmable. These inputs are programmable for other functions if not used as Motemp inputs. And, other inputs are programmable for the Motemp function.



MOTEMP SIGNALS

| Signal | Pin |
|---------------------|------|
| Motemp A | J7-7 |
| Motemp B | J8-7 |
| J7,J8 Signal Ground | 5,10 |
| Frame Gnd | 12 |

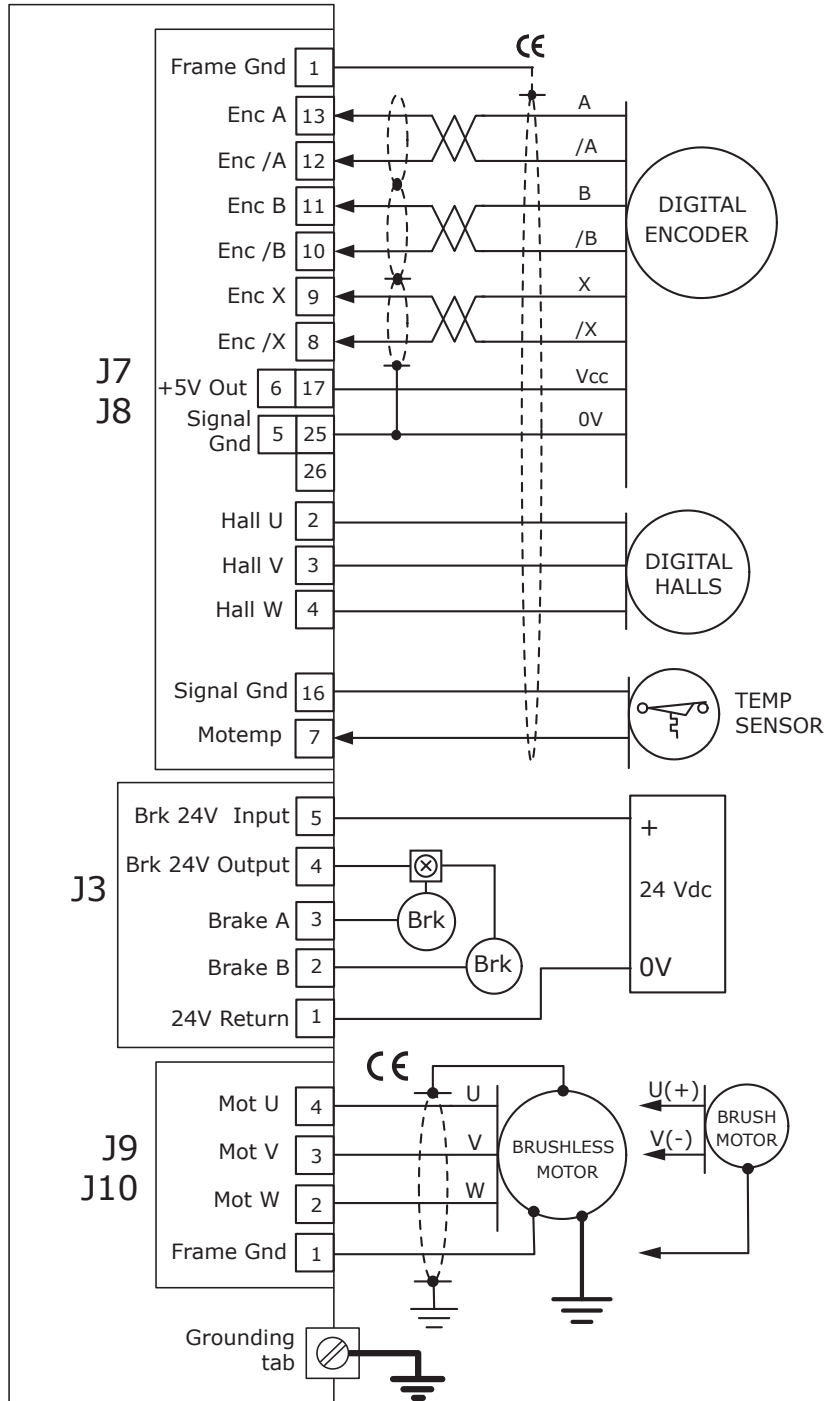
BS 4999 SENSOR

| Property | Ohms |
|---------------------------------------------------|--------|
| Resistance in the temperature range 20°C to +70°C | 60~750 |
| Resistance at 85°C | ≤1650 |
| Resistance at 95°C | ≥3990 |
| Resistance at 105°C | ≥12000 |

MOTOR CONNECTIONS: DIGITAL QUAD A/B ENCODER

The connections shown may not be used in all installations

Accelnet Plus Panel 2-Axis

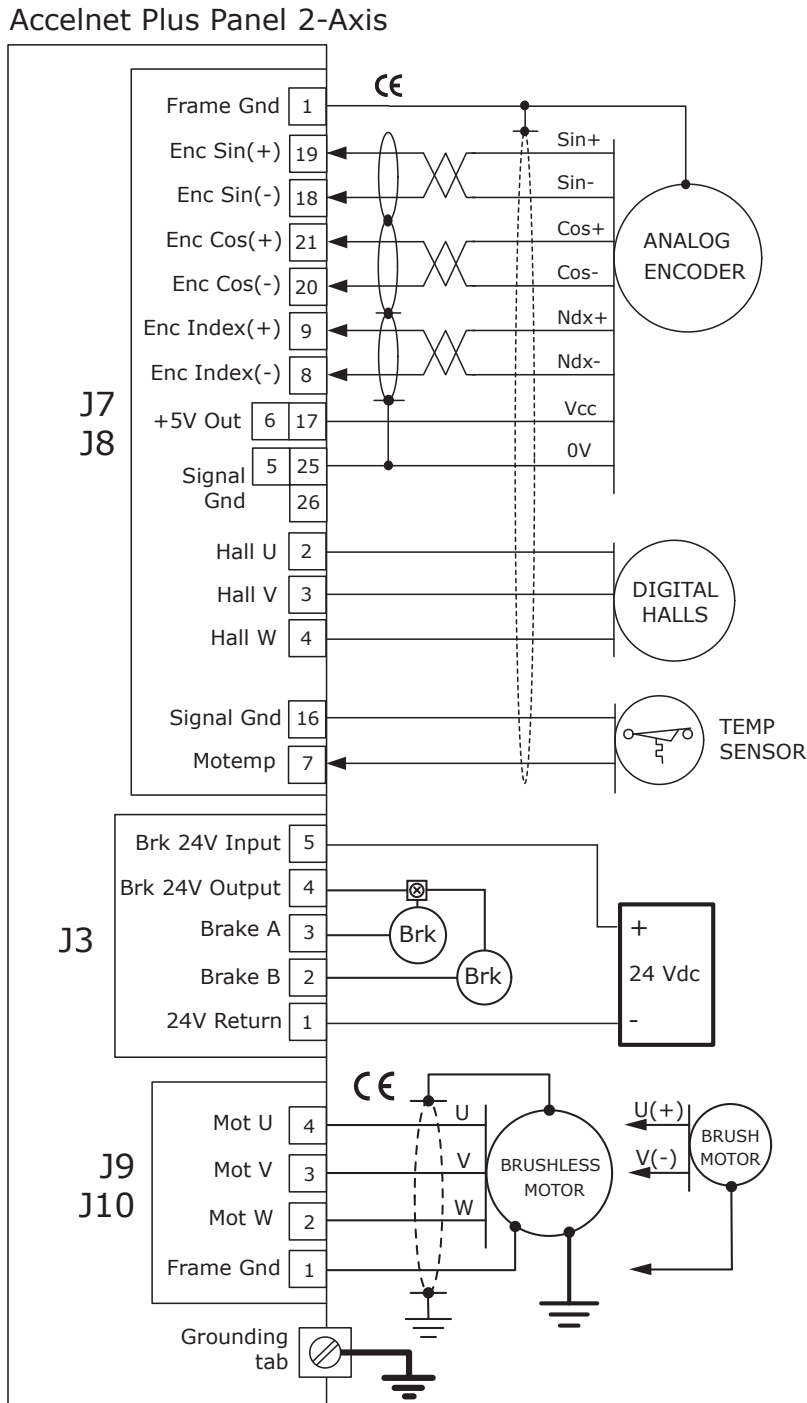


NOTES:

- 1) The +5VOut1 on J1-17,32 and J7-6, 17 is rated for 500 mA
The +5VOut2 on J1-23,38 and J8-6, 17 is rated for 500 mA
These are two independent power supplies, each with a 500 mA max output from all pins
- 2) CE symbols indicate connections required for CE compliance.

MOTOR CONNECTIONS: ANALOG SIN/COS ENCODER

The connections shown may not be used in all installations

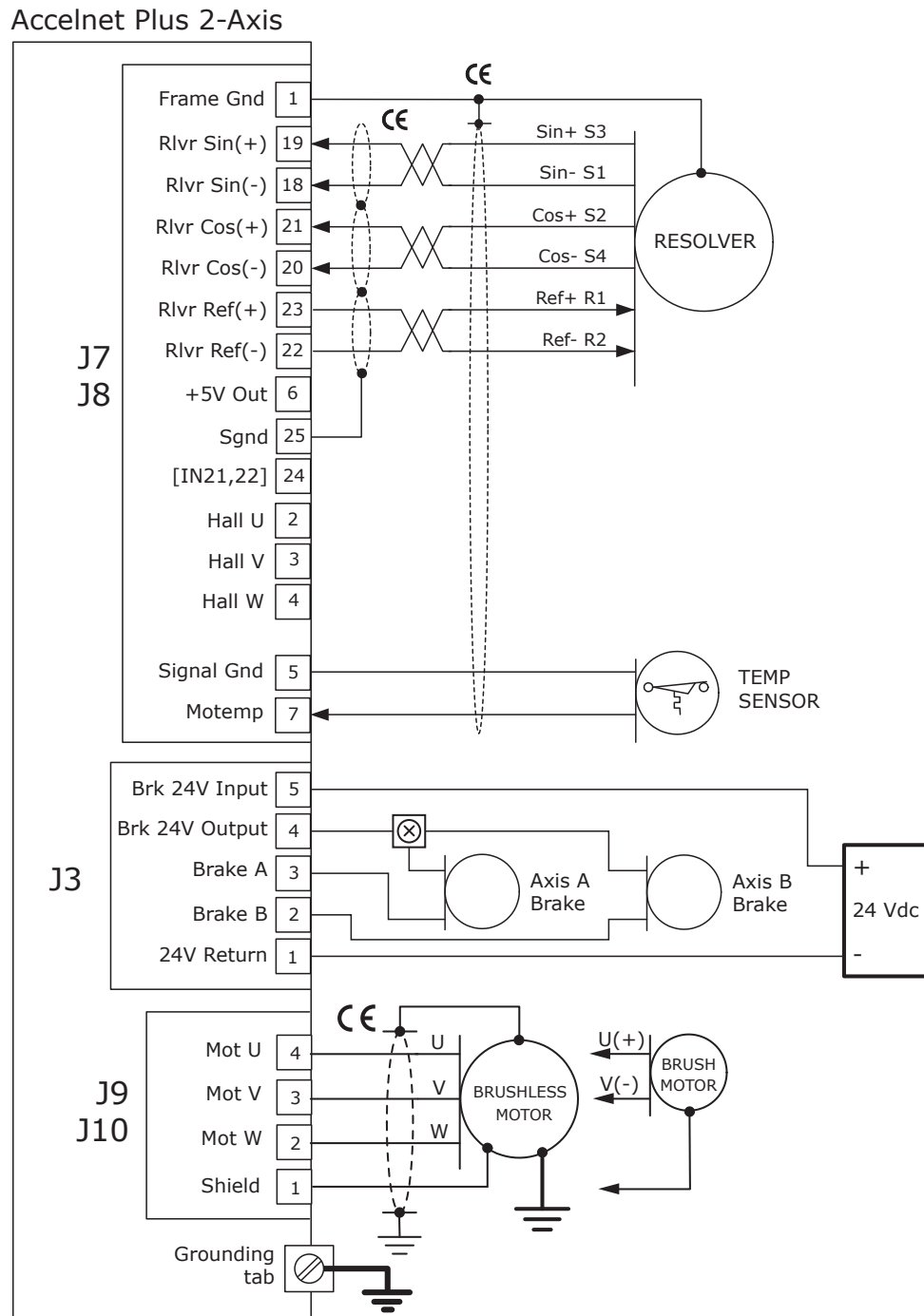


NOTES:

- 1) The +5VOut1 on J1-17,32 and J7-6, 17 is rated for 500 mA
The +5VOut2 on J1-23,38 and J8-6, 17 is rated for 500 mA
These are two independent power supplies, each with a 500 mA max output from all pins
- 2) CE symbols indicate connections required for CE compliance.

MOTOR CONNECTIONS: RESOLVERS (-R OPTION)

The connections shown may not be used in all installations. Hall signals are not generally used with resolver feedback but are shown here because they function if needed for resolver operation.

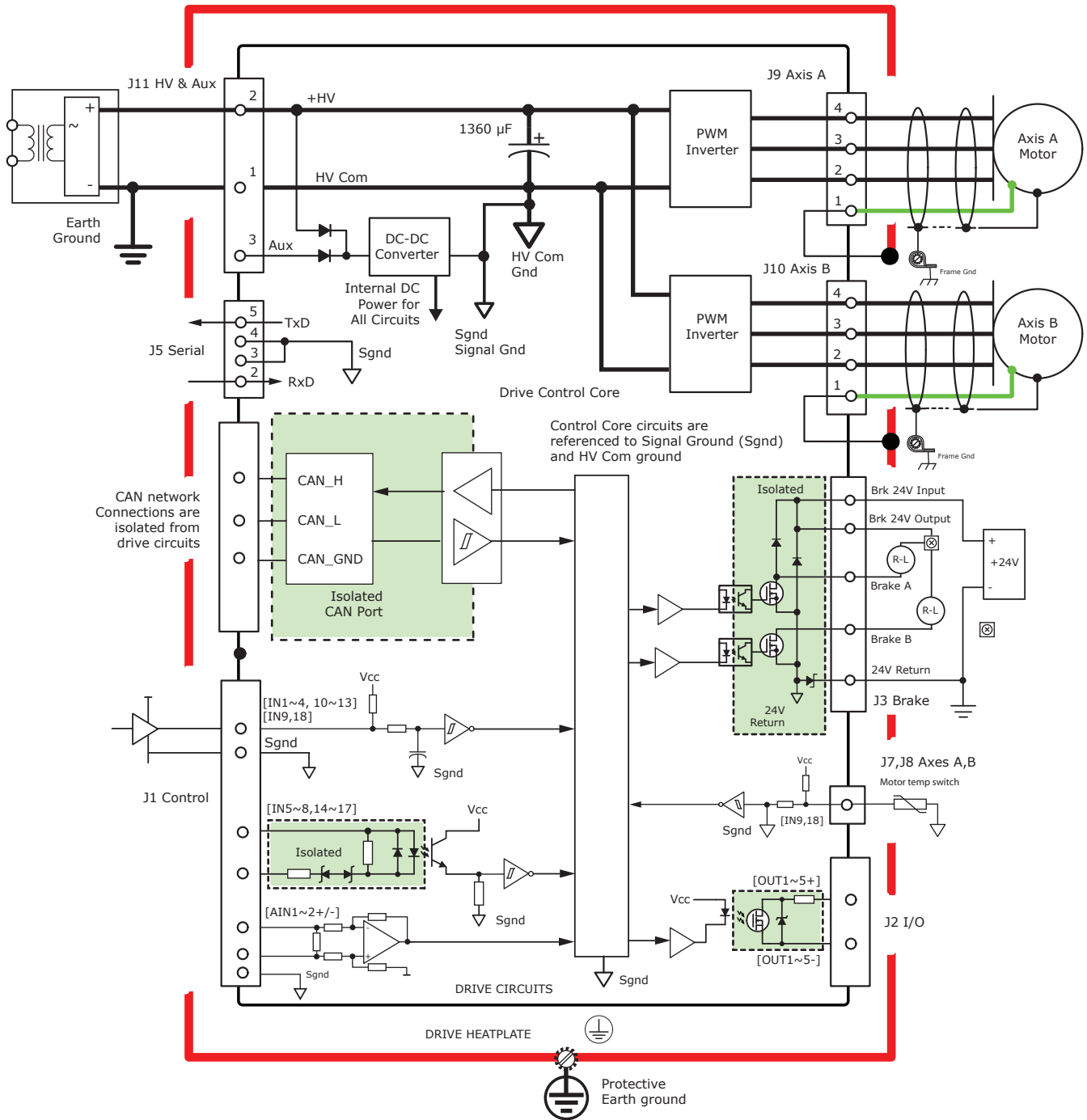


NOTES:

- 1) The +5VOut1 on J1-17,32 and J7-6, 17 is rated for 500 mA
The +5VOut2 on J1-23,38 and J8-6, 17 is rated for 500 mA
These are two independent power supplies, each with a 500 mA max output from all pins
- 2) CE symbols indicate connections required for CE compliance.

DEVICE STRUCTURE & ISOLATION

This graphic shows the electrical structure of the drive, detailing the elements that share a common circuit common (Signal Ground, HV Com) and circuits that are isolated and have no connection to internal circuits. Note that there is no connection between the heatplate (Chassis, Frame Ground) and any drive circuits.



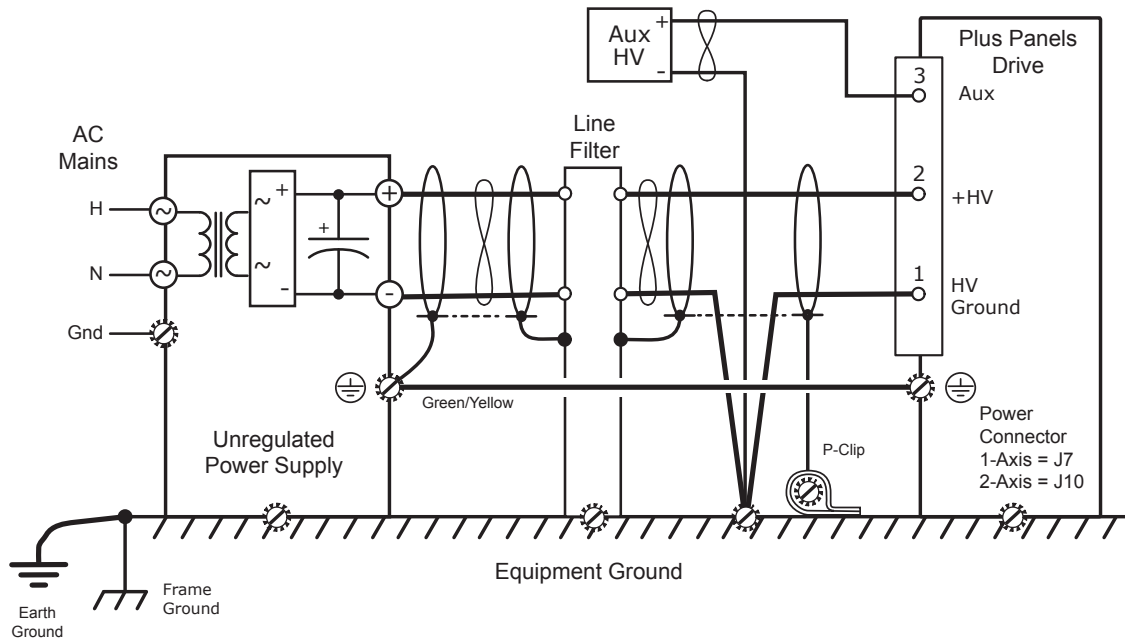
POWER & GROUNDING CONNECTIONS

DC POWER CONNECTIONS

- DC power must be provided by transformers that are galvanically isolated and provide reinforced insulation from the mains. *Auto-transformers cannot be used.*
- The (-) terminal of the power supply is not grounded at the power supply. It is grounded near each drive.
- Cabling to multiple drives for the +HV and 0V is best done in a "star" configuration, and not a "daisy-chain".
- The 0V, or return terminal of the DC power should be connected to frame ground near the drive power connector. From that point, a short wire can connect to the drive HV Ground.
- Cabling to the drive +HV and 0V terminals must be sized to carry the expected continuous current of the drive in the user's installation.
- DC power cabling should be shielded, twisted-pair for best EMI reduction. The shield should connect to the power supply frame ground on one end, and to the drive frame ground on the other. Adding a pigtail and ring-lug, as short as possible will provide a good connection of the shield at the drive.
- Motor cabling typically includes a green/yellow conductor for protective bonding of the motor frame. Connect as shown in the Motor Connections diagram on the following page.
- Motor cable conductors should be twisted and shielded for best EMI suppression.
- If a green/yellow grounding wire connects the motor to the drive's PE terminal, the shield pigtail and ring-lug may connect to one of the screws that mount the drive to the panel. A P-clip to ground the shield as near as possible to the drive will increase the EMI suppression of the shield. On the motor-end, the shield frequently connects to the connector shell. If the motor cable is a flying-lead from the motor, the shield may be connected to the motor frame internally.
- Braided cable shields are more effective for EMI reduction than foil shields. Double-shielded cables typically have a braided outer shield and foil shields for the internal twisted pairs. This combination is effective for both EMI reduction and signal quality of the feedback signals from analog encoders or resolvers.
- Motor cable shielding is not intended to be a protective bonding conductor unless otherwise specified by the motor manufacturer.
- For feedback cables, double-shielded cable with a single outer shield and individual shielded twisted pair internal shields gives the best results with resolvers, or analog sin/cos encoders.
- In double-shielded cables, the internal shielding should connect to the drive's Signal Ground on one end, and should be unconnected on the motor end.
- Single-shield feedback cables connect to the drive frame on one end, and to the motor frame on the other. Depending on the construction of the motor, leaving the feedback cable shield disconnected on the motor but connected on the drive end may give better results.
- The drive should be secured to the equipment frame or panels using the mounting slots. This ensures a good electrical connection for optimal EMI performance. The drive chassis is electrically conductive.

DC POWER WIRING

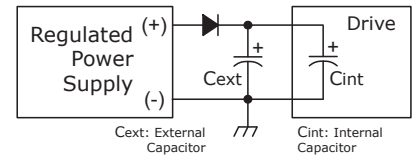
P-clips secure cables to a panel and provide full contact to the cable shields after the insulation has been stripped. This should be done as close to the drive as possible for best EMI attenuation.



+HV POWER SUPPLY REQUIREMENTS

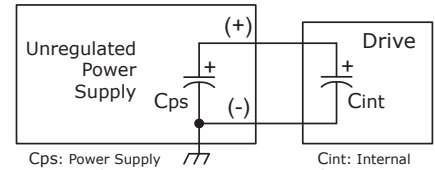
Regulated Power Supplies

- Must be over-voltage protected to 100 Vdc max when the STO (Safe Torque Off) feature of the drive is used.
- Require a diode and external capacitor to absorb regenerative energy.
- The VA rating should be greater than the actual continuous output power of the drives connected to the power supply, and adequate for the transient output power due to acceleration of motor loads.
- Must handle the internal capacitance of the drives on startup.



Unregulated Power Supplies

- No-load, high-line output voltage must not exceed 90 Vdc.
- Power supply internal capacitance adds to the drive's internal capacitance for absorption of regenerative energy.
- The VA (Volts & Amps) rating at the power supply's AC input is typically 30~40% greater than the total output power of the drives.



AUXILIARY HV POWER

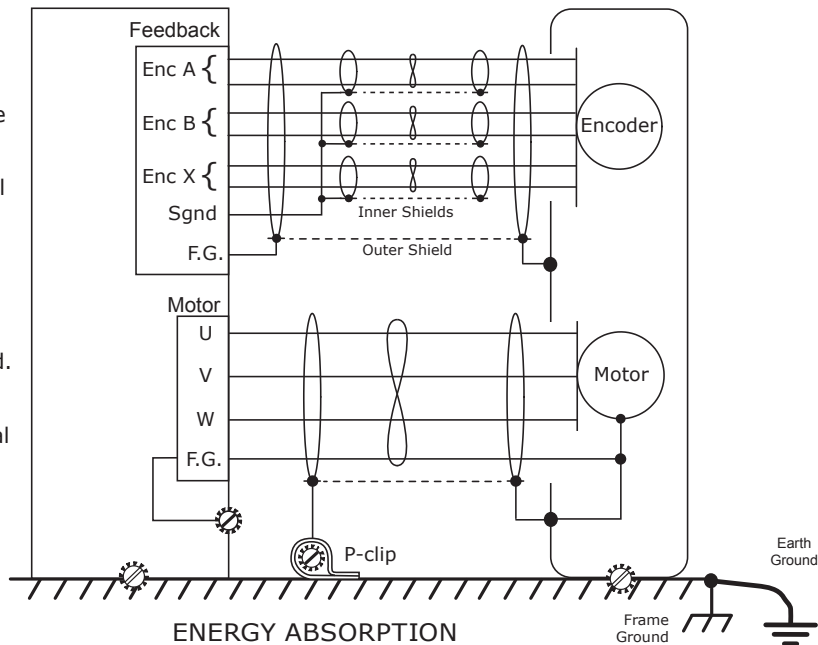
- Aux HV is power that can keep the drive communications and feedback circuits active when the PWM output stage has been disabled by removing the main +HV supply.
- Useful during EMO (Emergency Off) conditions where the +HV supply must be removed from the drive and powered-down to ensure operator safety.
- Voltage range is the same as +HV.
- Powers the DC/DC converter that supplies operating voltages to the drive DSP and control circuits.
- Aux HV draws no current when the +HV voltage is greater than the Aux HV voltage.

MOTOR CONNECTIONS

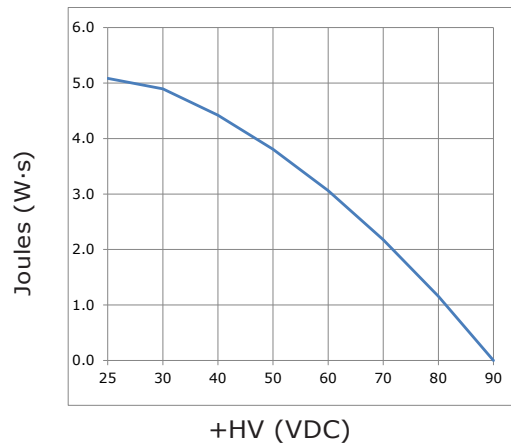
- Motor cable shield connects to motor frame, is grounded with a P-clip near the drive and terminates in a ring-lug that is screwed to the drive chassis by a mounting screw to the panel
- If provided, a green/yellow grounding wire from the motor connects to the F.G. terminal of the motor connector.

FEEDBACK CONNECTIONS

- Cable shield connects to motor frame and to the F.G. terminal of the feedback connector.
- When double-shielding is used, the inner shields connect to the Signal Ground at the drive, and is not connected at the motor end.
- If not provided by the motor manufacturer, feedback cables rated for RS-422 communications are recommended for digital encoders.



ENERGY ABSORPTION



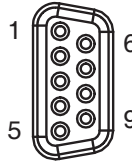
REGENERATION

This chart shows the energy absorption in W-s for the drive operating at some typical DC voltages. It is based on the internal 1360 uF capacitance and would be increased by the capacitance of the external DC power supply. When the load mechanical energy is greater than these values an external regenerative energy dissipater is required, or the DC power supply capacitance can be increased to absorb the regen energy.

CONNECTORS & SIGNALS: FRONT PANEL

J6 SAFETY (SAFETORQUE OFF)

| PIN | SIGNAL | PIN | SIGNAL |
|-----|-----------|-----|----------|
| 1 | Frame Gnd | 6 | STO-1(+) |
| 2 | STO-1(+) | 7 | STO-1(-) |
| 3 | STO-1(-) | 8 | STO-24V |
| 4 | STO-2(+) | 9 | STO-GND |
| 5 | STO-2(-) | | |



J6 BP2 CONNECTOR:

Dsub DB-09F, 9 position female receptacle

J6 CABLE CONNECTOR:

Dsub DB-09M, 9 position

Details on J1, J2, J6, J7, and J8 cable connectors can be found in the BP2-CK listing under the Accessories section of the last page

J1: CONTROL SIGNAL

| PIN | SIGNAL | PIN | SIGNAL | PIN | SIGNAL |
|-----|--------------|-----|---------------|-----|-----------------|
| 44 | Signal Gnd | 30 | N/C | 15 | [IN13] Diff2(-) |
| 43 | N/C | 29 | N/C | 14 | [IN12] Diff2(+) |
| 42 | B-MultiEnc A | 28 | N/C | 13 | [IN11] |
| 41 | B-MultiEnc B | 27 | B-MultiEnc /A | 12 | [IN10] |
| 40 | B-MultiEnc X | 26 | B-MultiEnc /B | 11 | N/C |
| 39 | B-MultiEnc S | 25 | B-MultiEnc /X | 10 | [IN4] Diff1(-) |
| 38 | B +5Vdc Out2 | 24 | B-MultiEnc /S | 9 | [IN3] Diff1(+) |
| 37 | Signal Gnd | 23 | B +5Vdc Out2 | 8 | [IN2] |
| 36 | A-MultiEnc A | 22 | Signal Gnd | 7 | [IN1] |
| 35 | A-MultiEnc B | 21 | A-MultiEnc /A | 6 | Signal Gnd |
| 34 | A-MultiEnc X | 20 | A-MultiEnc /B | 5 | [AIN2+] |
| 33 | A-MultiEnc S | 19 | A-MultiEnc /X | 4 | [AIN2-] |
| 32 | A +5Vdc Out1 | 18 | A-MultiEnc /S | 3 | [AIN1+] |
| 31 | Signal Gnd | 17 | A +5Vdc Out1 | 2 | [AIN1-] |
| | | 16 | Signal Gnd | 1 | Frame Gnd |

J1: DRIVE CONNECTOR

High-Density Dsub DB-44F, female receptacle, 44 Position

J1: CABLE CONNECTOR

High-Density Dsub DB-44M, male plug, 44 Position

J2: ISOLATED I/O

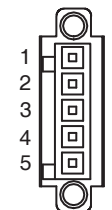
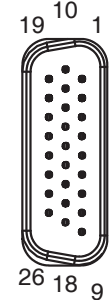
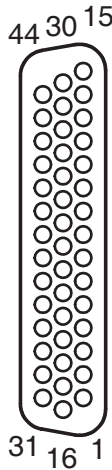
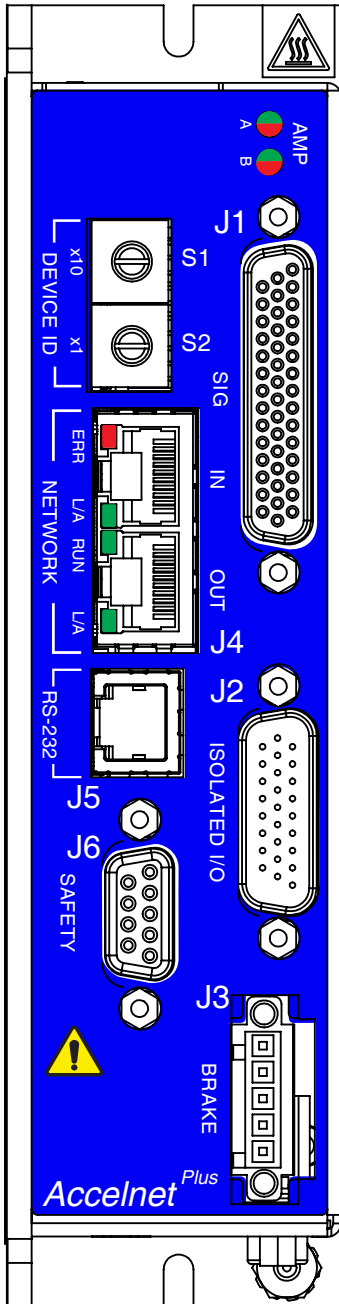
| PIN | SIGNAL | 1PIN | SIGNAL | PIN | SIGNAL |
|-----|-------------|------|----------------|-----|--------------|
| 19 | [OUT1+] GPI | 10 | [OUT1-] GPI | 1 | Frame Ground |
| 20 | [OUT2+] GPI | 11 | [OUT2-] GPI | 2 | [IN5] GPI |
| 21 | [OUT3+] GPI | 12 | [OUT3-] GPI | 3 | [IN6] GPI |
| 22 | [OUT4+] GPI | 13 | [OUT4-] GPI | 4 | [IN7] GPI |
| 23 | [OUT5+] GPI | 14 | [OUT5-] GPI | 5 | [IN8] GPI |
| 24 | N/C | 15 | N/C | 6 | COM1 [IN5~8] |
| 25 | N/C | 16 | N/C | 7 | [IN14] GPI |
| 26 | N/C | 17 | COM2 [IN14~17] | 8 | [IN15] GPI |
| | | 18 | [IN17] GPI | 9 | [IN16] GPI |

J2: DRIVE CONNECTOR

High-Density Dsub DB-26M, male plug, 26 Position

J2: CABLE CONNECTOR

High-Density Dsub DB-26F, female receptacle, 26 Position

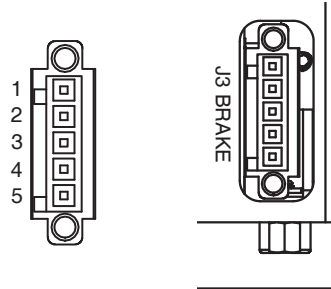


J3: BRAKE

CONNECTORS & SIGNALS: FRONT PANEL

J3: BRAKE

| Pin | Signal |
|-----|----------------|
| 1 | 24V Return |
| 2 | Brake B [OUT7] |
| 3 | Brake A [OUT6] |
| 4 | Brk 24V Output |
| 5 | Brk 24V Input |



J3: DRIVE CONNECTOR

Euro-style 3.5 mm male receptacle, 5-position
Wago: MCS-MINI, 734-165/108-000

J3: CABLE CONNECTOR

Wago MCS-MINI 734-105/107-000
or 734-105/107-000

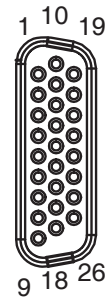
WAGO CONNECTOR TOOL

Contact opener: 734-231 operating tool

CONNECTORS & SIGNALS: END PANEL

J7, J8: AXIS A, B FEEDBACK

| PIN | SIGNAL | PIN | SIGNAL | PIN | SIGNAL |
|-----|-----------------------|-----|-----------------|-----|-------------|
| 1 | Frame Gnd | 10 | A(B) Enc /B | 19 | A(B) Sin(+) |
| 2 | A(B) Hall U | 11 | A(B) Enc B | 20 | A(B) Cos(-) |
| 3 | A(B) Hall V | 12 | A(B) Enc /A | 21 | A(B) Cos(+) |
| 4 | A(B) Hall W | 13 | A(B) Enc A | 22 | N/C |
| 5 | Signal Gnd | 14 | A(B) Enc /S | 23 | N/C |
| 6 | A(B) +5VOut1(2) | 15 | A(B) Enc S | 24 | N/C |
| 7 | [IN9(18)] A(B) Motemp | 16 | Signal Gnd | 25 | Signal Gnd |
| 8 | A(B) Enc /X | 17 | A(B) +5VOut1(2) | 26 | Signal Gnd |
| 9 | A(B) Enc X | 18 | A(B) Sin(-) | | |



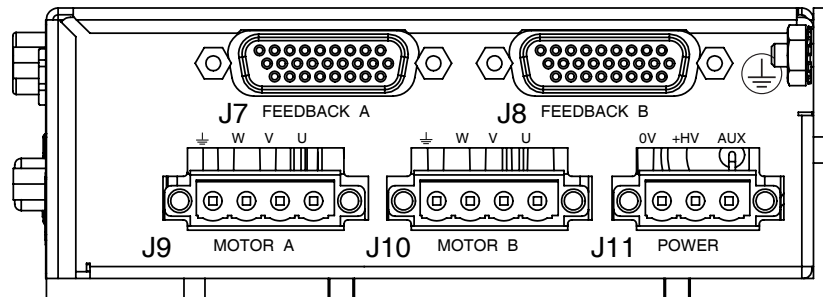
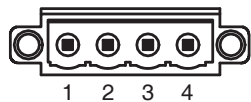
J7, J8

J7, J8: FEEDBACK

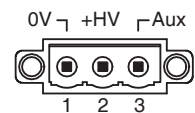
J7, J8: BP2 CONNECTOR
High-Density Dsub DB-26F, female receptacle, 26 Position

J7, J8: CABLE CONNECTOR
High-Density Dsub DB-26M, male plug, 26 Position

J9, J10



J11



J9, J10: MOTOR OUTPUTS

| Signal | Pin |
|---------------|-----|
| Frame Ground | 1 |
| Motor Phase W | 2 |
| Motor Phase V | 3 |
| Motor Phase U | 4 |

J9, J10: DRIVE CONNECTORS

Euro-style 5.08 mm male receptacle, 4-position
Wago: MCS-MIDI, 231-564/108-000

J9, J10 CABLE CONNECTORS

Wago MCS-MIDI Classic 231-304/107-000

WAGO CONNECTOR TOOL

Contact opener: 231-159 operating tool

J11: +HV & AUX POWER

| Signal | Pin |
|-----------|-----|
| HV Ground | 1 |
| HV | 2 |
| Aux HV | 3 |

J11: DRIVE CONNECTOR

Euro-style 5.08 mm male receptacle, 3-position
Wago: MCS-MIDI, 231-563/108-000

J11: CABLE CONNECTOR

Wago MCS-MIDI, 231-303/107-000

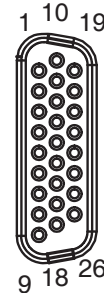
WAGO CONNECTOR TOOL

Contact opener: 231-159 operating tool

CONNECTORS & SIGNALS: END PANEL (-R MODELS WITH RESOLVER FEEDBACK)

J7, J8: AXIS A, B FEEDBACK

| PIN | SIGNAL | PIN | SIGNAL | PIN | SIGNAL |
|-----|-----------------------|-----|-----------------|-----|----------------|
| 1 | Frame Gnd | 10 | N.C. | 19 | A(B) Sin(+) S3 |
| 2 | A(B) Hall U | 11 | N.C. | 20 | A(B) Cos(-) S4 |
| 3 | A(B) Hall V | 12 | N.C. | 21 | A(B) Cos(+) S2 |
| 4 | A(B) Hall W | 13 | N.C. | 22 | A(B) Ref(-) R2 |
| 5 | Signal Gnd | 14 | N.C. | 23 | A(B) Ref(+) R1 |
| 6 | A(B) +5VOut1(2) | 15 | N.C. | 24 | N/C |
| 7 | [IN9(18)] A(B) Motemp | 16 | Signal Gnd | 25 | Signal Gnd |
| 8 | N.C. | 17 | A(B) +5VOut1(2) | 26 | Signal Gnd |
| 9 | N.C. | 18 | A(B) Sin(-) S1 | | |

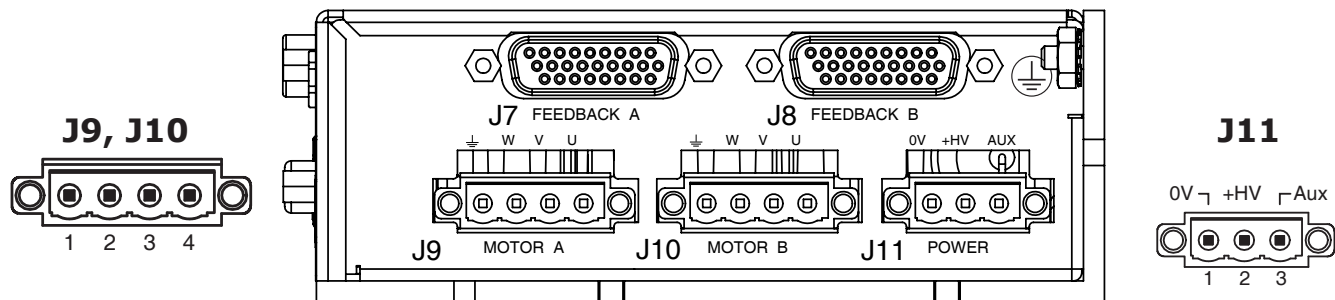


J7, J8

J7, J8: FEEDBACK

J7, J8: BE2 CONNECTOR
High-Density Dsub DB-26F,
female receptacle, 26 Position

J7, J8: CABLE CONNECTOR
High-Density Dsub DB-26M,
male plug, 26 Position



J9, J10: MOTOR OUTPUTS

| Signal | Pin |
|---------------|-----|
| Frame Ground | 1 |
| Motor Phase W | 2 |
| Motor Phase V | 3 |
| Motor Phase U | 4 |

J9, J10: DRIVE CONNECTORS
Euro-style 5.08 mm male receptacle, 4-position
Wago: MCS-MIDI, 231-564/108-000

J9, J10 CABLE CONNECTORS
Wago MCS-MIDI Classic 231-304/107-000

WAGO CONNECTOR TOOL
Contact opener: 231-159 operating tool

J11: +HV & AUX POWER

| Signal | Pin |
|-----------|-----|
| HV Ground | 1 |
| HV | 2 |
| Aux HV | 3 |

J11: DRIVE CONNECTOR
Euro-style 5.08 mm male receptacle, 3-position
Wago: MCS-MIDI, 231-563/108-000

J11: CABLE CONNECTOR
Wago MCS-MIDI, 231-303/107-000

WAGO CONNECTOR TOOL
Contact opener: 231-159 operating tool

WIRING

24V & BRAKE: J5

Wago MCS-MINI: 734-105/107-000, female connector; with screw flange, 5-pole; pin spacing 3.5 mm / 0.138 in

Conductor capacity
 Bare stranded: AWG 28~16 [0.08~1.5 mm²]
 Insulated ferrule: AWG 24~16 [0.25~1.5 mm²]
 Stripping length: 0.24~0.28 in [6~7 mm]
 Operating tool: Wago MCS-MINI: 734-231

J5

Tool



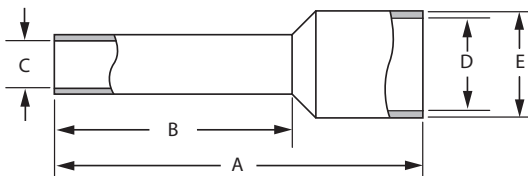
FERRULE PART NUMBERS: SINGLE WIRE INSULATED

| AWG | mm ² | Color | Mfgr | PNUM | A | B | C | D | E | SL |
|-----|-----------------|-------|------|---------|------------|-----------|-----------|-----------|-----------|-----------|
| 18 | 1.0 | Red | Wago | 216-223 | 12.0 (.47) | 6.0 (.24) | 1.4 (.06) | 3.0 (.12) | 3.5 (.14) | 8 (.31) |
| 20 | 0.75 | Gray | Wago | 216-222 | 12.0 (.47) | 6.0 (.24) | 1.2 (.05) | 2.8 (.11) | 3.3 (.13) | 8 (.31) |
| 22 | 0.5 | White | Wago | 216-221 | 12.0 (.47) | 6.0 (.24) | 1.0 (.04) | 2.6 (.10) | 3.1 (.12) | 7.5 (.30) |

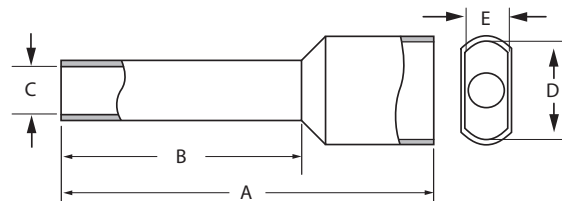
FERRULE PART NUMBERS: DOUBLE WIRE INSULATED

| AWG | mm ² | Color | Mfgr | PNUM | A | B | C | D | E | SL |
|--------|-----------------|-------|--------|----------|------------|-----------|------------|-----------|-----------|------------|
| 2 x 18 | 2 x 1.0 | Red | Altech | 2776.0 | 15.4 (.61) | 8.2 [.32] | 2.4 (.09) | 3.2 (.13) | 5.8 (.23) | 11.0 (.43) |
| 2 x 18 | 2 x 1.0 | Gray | Altech | 2775.0 | 14.6 (.57) | 8.2 (.32) | 2.0 (.08) | 3.0 (.12) | 5.5 (.22) | 11.0 (.43) |
| 2 x 20 | 2 x 0.75 | White | Altech | 2794.0 | 14.6 (.57) | 8.2 (.32) | 1.7 (.07) | 3.0 (.12) | 5.0 (.20) | 11.0 (.43) |
| 2 x 20 | 2 x 0.75 | Gray | TE | 966144-2 | 15.0 (.59) | 8.0 (.31) | 1.70 (.07) | 2.8 (.11) | 5.0 (.20) | 10 (.39) |
| 2 x 22 | 2 x 0.50 | White | TE | 966144-1 | 15.0 (.59) | 8.0 (.31) | 1.40 (.06) | 2.5 (.10) | 4.7 (.19) | 10 (.39) |

SINGLE WIRE



DOUBLE WIRE



HV/AUX POWER AND MOTOR OUTPUTS: J7 & J8

Wago MCS-MIDI Classic: 231-304/107-000 (J7), 231-303/107-000 (J8), female connector; with screw flange; 3-pole; pin spacing 5.08 mm / 0.2 in

Conductor capacity
 Bare stranded: AWG 28~14 [0.08~2.5 mm²]
 Insulated ferrule: AWG 24~16 [0.25~1.5 mm²]
 Stripping length: 8~9 mm
 Operating tool: Wago MCS-MIDI Classic: 231-159

J7

J8

Tool

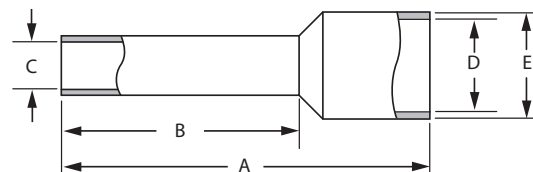


FERRULE PART NUMBERS: SINGLE WIRE INSULATED

| AWG | mm ² | Color | Mfgr | PNUM | A | B | C | D | E | SL |
|-----|-----------------|-------|------|---------|-------------|------------|------------|------------|------------|-----------|
| 14 | 2.5 | Blue | Wago | 216-206 | 15.0 (0.59) | 8.0 (0.31) | 2.05 (.08) | 4.2 (0.17) | 4.8 (0.19) | 10 (0.39) |
| 16 | 1.5 | Black | Wago | 216-204 | 14.0 (0.59) | 8.0 (0.31) | 1.7 (.07) | 3.5 (0.14) | 4.0 (0.16) | 10 (0.39) |
| 18 | 1.0 | Red | Wago | 216-223 | 12.0 (.47) | 6.0 (.24) | 1.4 (.055) | 3.0 (.12) | 3.5 (.14) | 8 (.31) |
| 20 | 0.75 | Gray | Wago | 216-222 | 12.0 (.47) | 6.0 (.24) | 1.2 (.047) | 2.8 (.11) | 3.3 (.13) | 8 (.31) |
| 22 | 0.5 | White | Wago | 216-221 | 12.0 (.47) | 6.0 (.24) | 1.0 (.039) | 2.6 (.10) | 3.1 (.12) | 7.5 (.30) |

NOTES

PNUM = Part Number
 SL = Stripping length
 Dimensions: mm (in)



THERMALS: POWER DISSIPATION

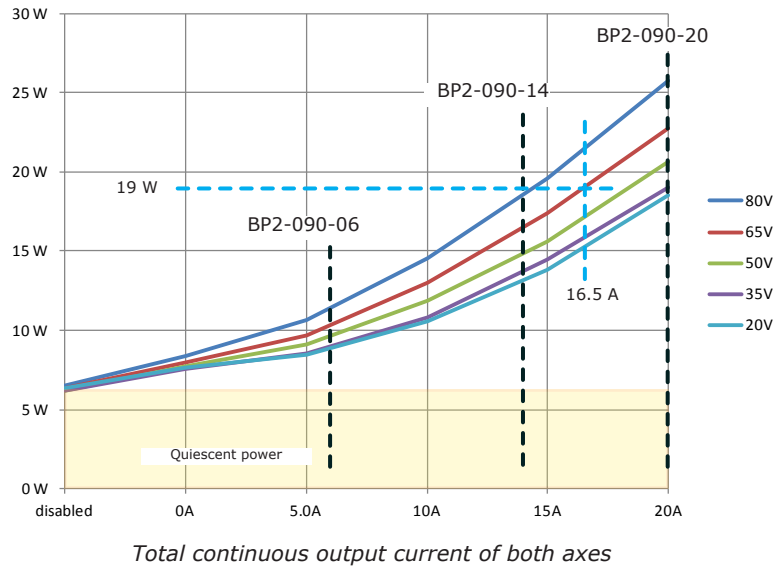
The top chart on this page shows the internal power dissipation for one axis of the BP2 under differing power supply and output current conditions. The +HV values are for the average DC voltage of the drive power supply. The lower chart shows the temperature rise vs. power dissipation under differing mounting and cooling conditions.

TOTAL POWER DISSIPATION

Use this chart to find the total power dissipation for both axes.

Example:

Power supply HV = 65 Vdc
 Axis 1 current = 7.5 A, axis 2 = 9.0 A
 Total current = 16.5 A
 Total dissipation = 19 Watts



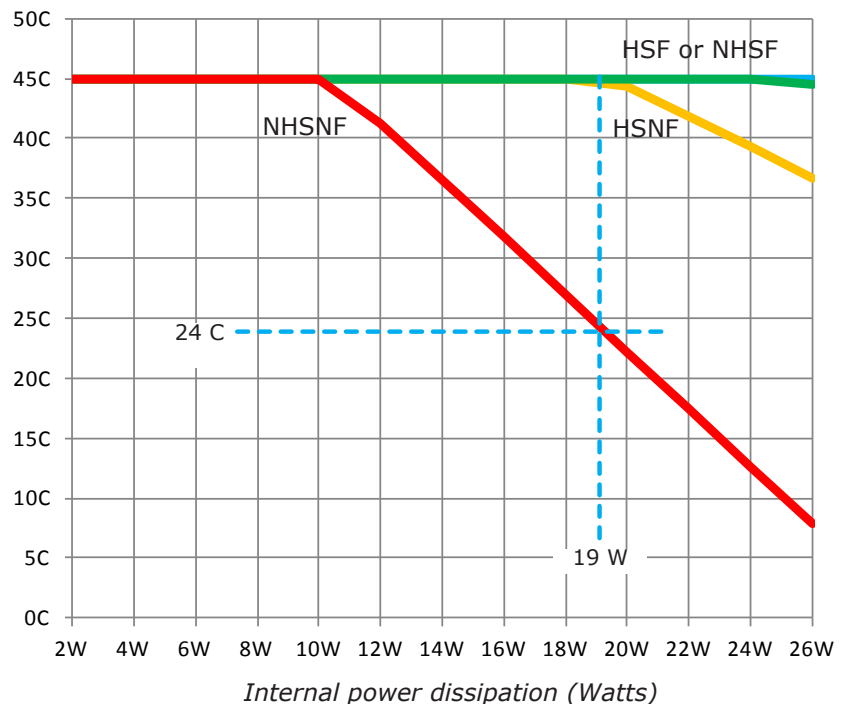
THERMALS: MAXIMUM OPERATING TEMPERATURE VS. DISSIPATION

Use this chart to find the maximum operating temperature of the drive under differing mounting and cooling conditions.

Example:

Using the 19 W value from the calculations above, draw a vertical line. This shows that 24 C is the maximum operating temperature for NHSNF, and that any of the other mounting/cooling options will be sufficient for operation up to the maximum ambient temperature of 45 C.

- HSF = Heat Sink (with) Fan
- NHSF = No Heat Sink (with) Fan
- HSNF = Heat Sink No Fan
- NHSNF = No Heat Sink No Fan



THERMALS: MOUNTING & THERMAL RESISTANCE

MOUNTING

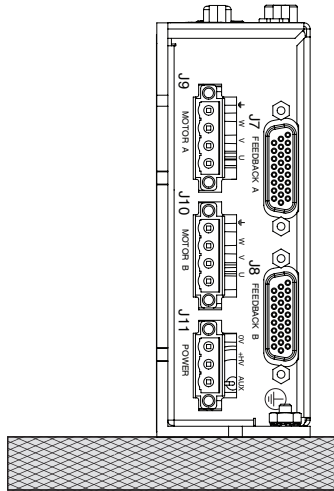
Thermal data for convection-cooling with a heatsink assumes a vertical mounting of the drive on a thermally non-conducting surface. Heatsink fins run parallel to the long axis of the drive. When fan-cooling is used vertical mounting is not necessary to guarantee thermal performance of the heatsink.

THERMAL RESISTANCE

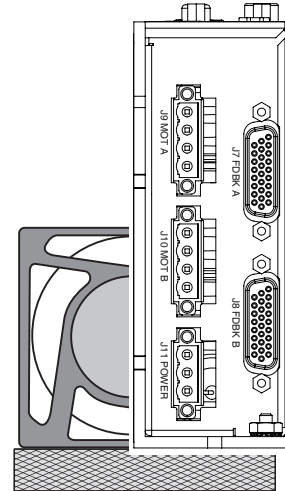
Thermal resistance is a measure of the temperature rise of the drive heatplate due to power dissipation in the drive. It is expressed in units of °C/W where the degrees are the temperature rise above ambient.

E.g., an drive dissipating 16 W mounted with no heatsink or fan would see a temperature rise of 38.2C above ambient based on the thermal resistance of 2.39C/W. Using the drive maximum heatplate temperature of 70C and subtracting 38.2C from that would give 31.7C as the maximum ambient temperature the drive in which the drive could operate before going into thermal shutdown. To operate at higher ambient temperatures a heatsink or forced-air would be required.

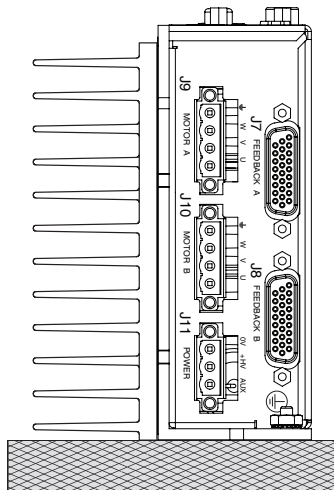
**TOP VIEWS
VERTICAL MOUNTING**



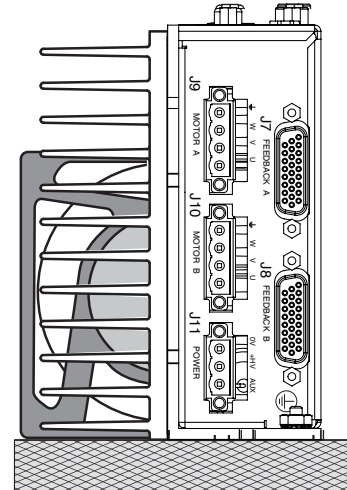
| NO HEATSINK, NO FAN | °C/W |
|---------------------|------|
| CONVECTION | 2.32 |



| NO HEATSINK + FAN | °C/W |
|---------------------|------|
| FORCED-AIR, 300 LFM | 0.98 |



| HEATSINK, NO FAN | °C/W |
|------------------|------|
| CONVECTION | 1.28 |



| HEATSINK + FAN | °C/W |
|---------------------|------|
| FORCED-AIR, 300 LFM | 0.61 |

HEATSINK KIT INSTALLATION

- Standard heatsink for Accelnet Plus Panel BP2
- Complete kit for user installation of the heatsink

DESCRIPTION

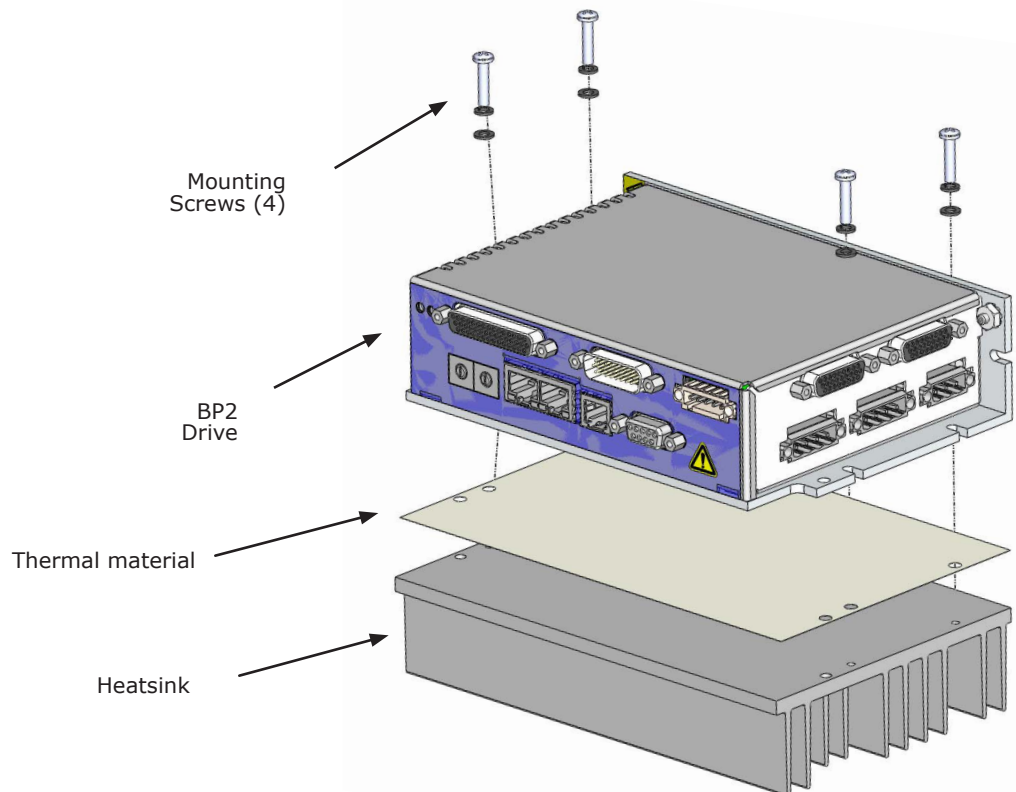
The BP2-HK is a kit containing a heatsink and mounting hardware for field installation of a standard heatsink onto a BP2 model servo drive.
To order an BP2 drive with heatsink fitted at the factory, add "-H" to the model part number.

BP2-HK HEATSINK KIT PART LIST

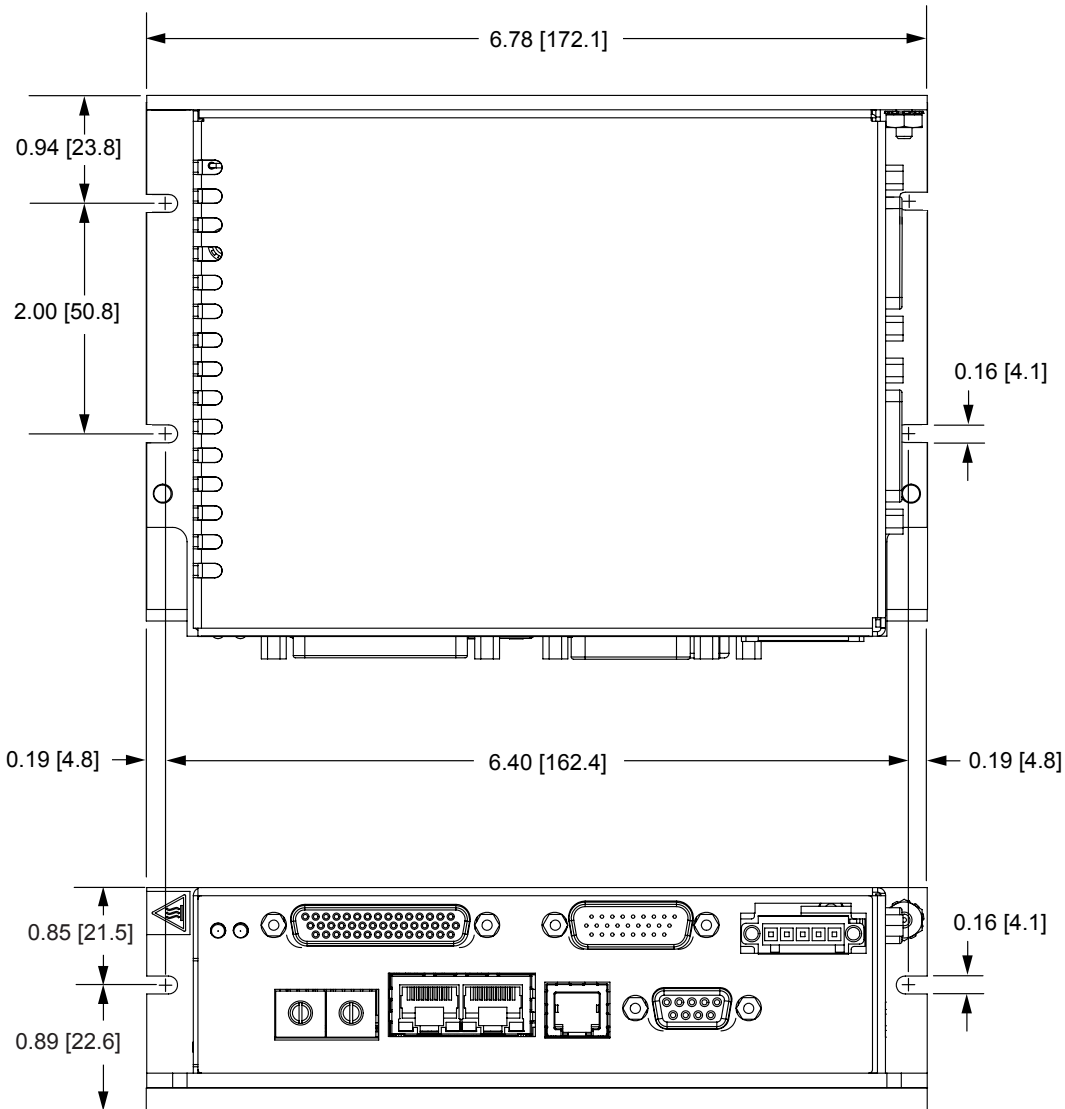
| Qty | Description | |
|-----|-----------------------------|----------------------------------|
| 1 | Heatsink, standard, BP2-HS | |
| 1 | Thermal material, 4x4 in. | |
| 1 | Kit, Heatsink Hardware, BP2 | |
| | 4 | Washer, flat, #8 |
| | 4 | Screw, PAN, SEMS, #8-32 x 1/2 in |

INSTALLATION

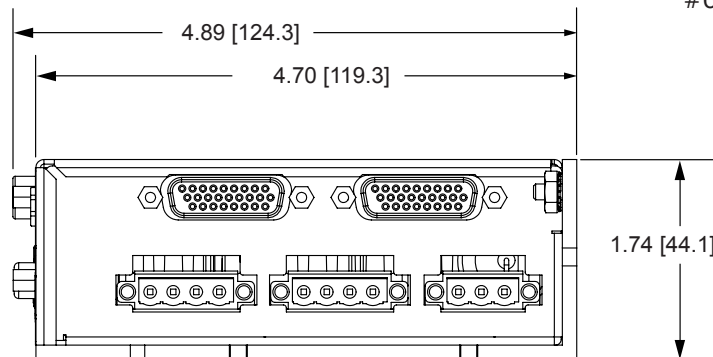
- 1) Place the heatsink fins-down on a work surface. Orient the heatsink so that the edge with part number is away from you. The hole for the BP2 grounding lug should be to your left.
- 2) Remove the clear protective film from the thermal material and discard it. Place the thermal material onto the heatsink in the placement area which is marked with four white "L". Apply light pressure to ensure that the thermal material is flat.
- 3) Peel the white protective layer away from the thermal material. Do this slowly from one corner so as not to lift the thermal material from the heatsink.
- 4) Align the BP2 as shown and lower onto the heatsink. If needed to adjust the position, lift it away from the thermal material and lower onto the heatsink again.
- 5) Install the four mounting screws with flat washers and tighten evenly. Torque to 17.8 lb-in (2.0 Nm) maximum.



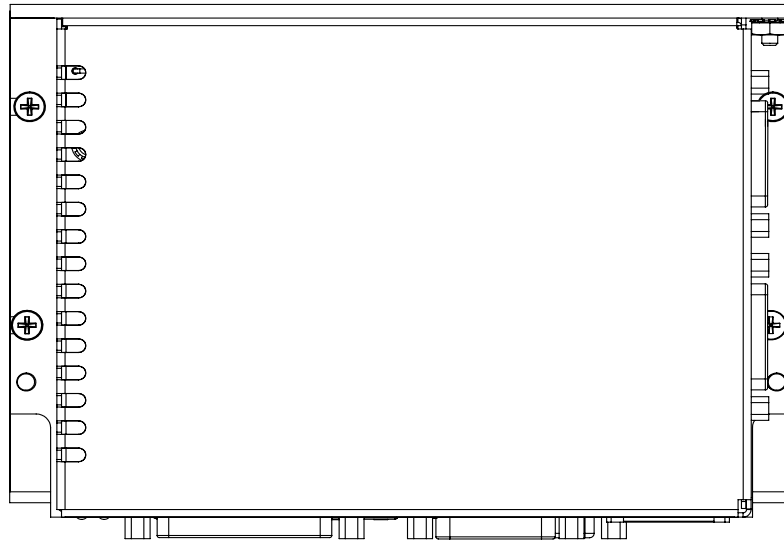
DIMENSIONS: IN (MM)



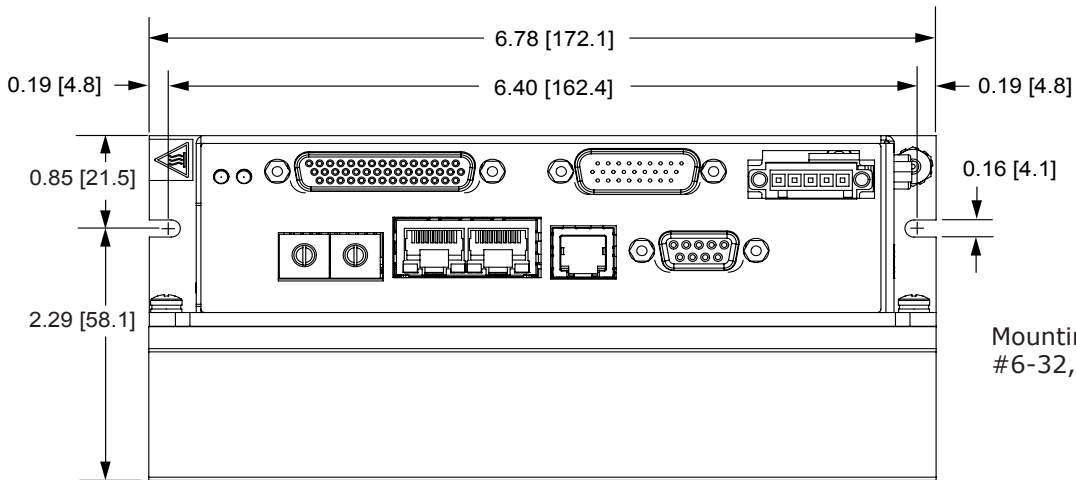
Mounting screws:
#6-32, or 3.5 mm



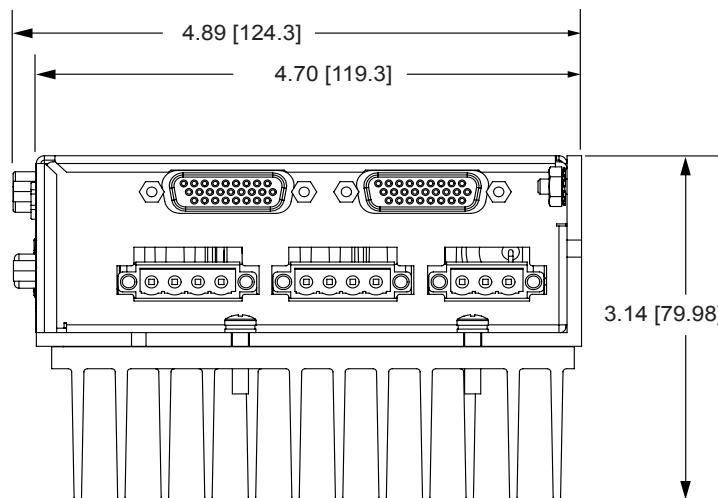
DIMENSIONS: IN (MM)



Units: IN[MM]

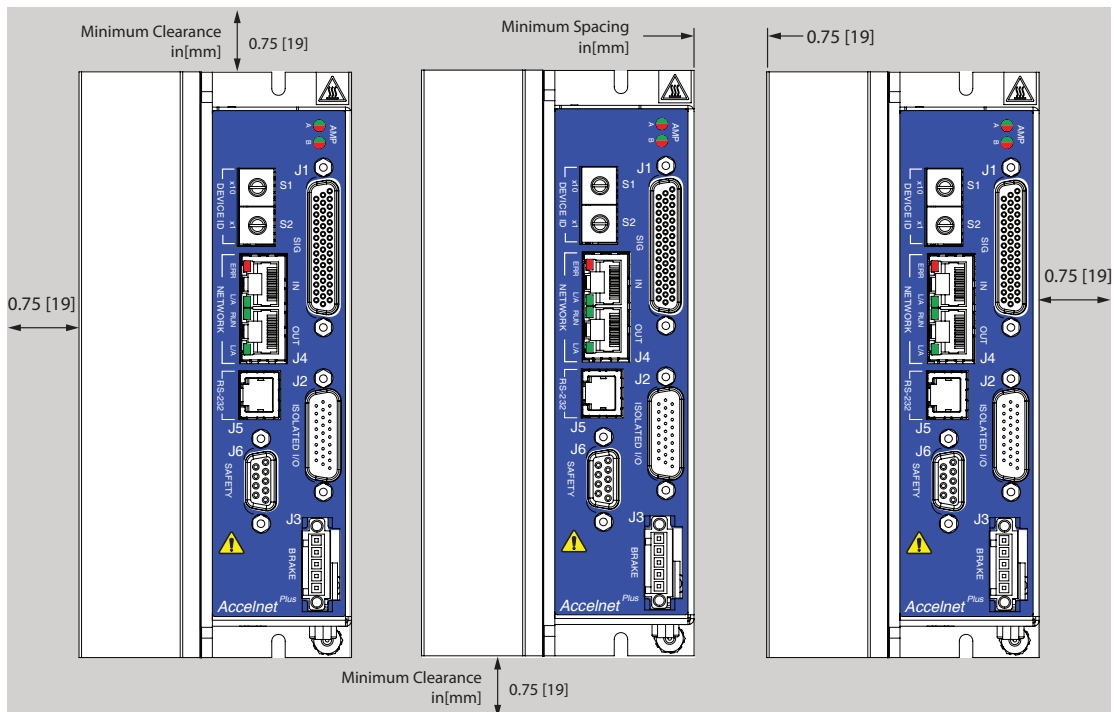
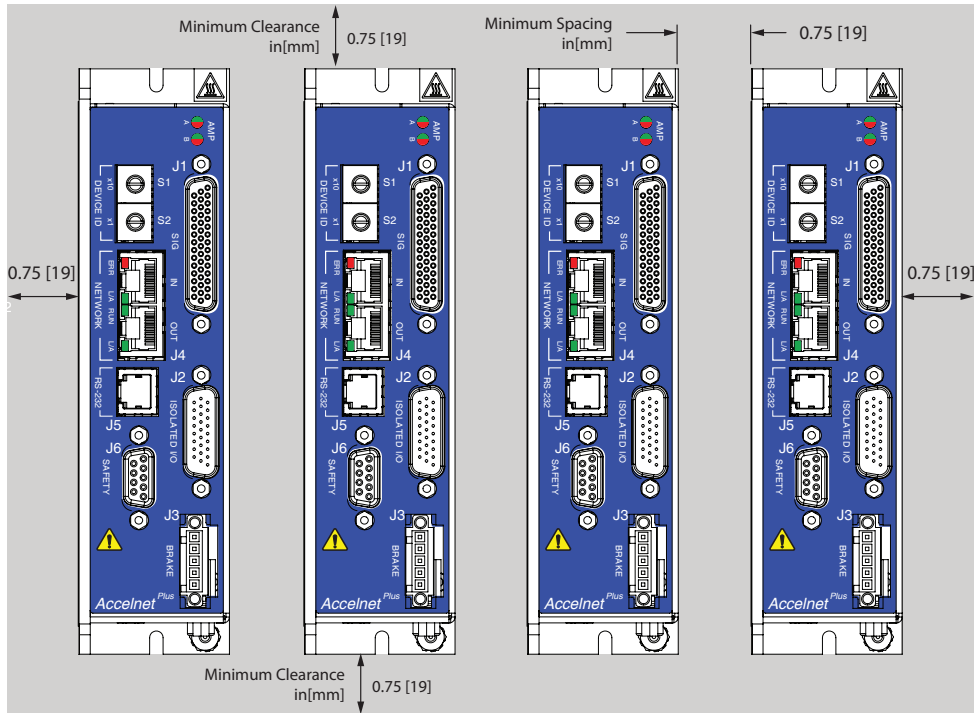


Mounting screws:
#6-32, or 3.5 mm



INSTALLATION

The graphic below shows the recommended mounting for multiple drives. The clearances shown are minimums.



*THIS PAGE
LEFT BLANK
INTENTIONALLY*

ORDERING GUIDE

| | |
|------------|-----------------------------------------------------------------|
| BP2-090-06 | Accelnet Plus 2-Axis Panel CANopen servo drive, 3/6 A, 90 Vdc |
| BP2-090-14 | Accelnet Plus 2-Axis Panel CANopen servo drive, 7/14 A, 90 Vdc |
| BP2-090-20 | Accelnet Plus 2-Axis Panel CANopen servo drive, 10/20 A, 90 Vdc |



Add -R to model number for resolver feedback option (Example: BP2-090-14-R)
 Add -H to model number for factory-installed heatsink

Example: Order one Accelnet Plus BP2 drive, 7/14 A, resolver option, with connector kit, serial cable kit, heatsink fitted at the factory:

| Qty | Item | Remarks |
|-----|----------------|-------------------------------------------------------------------------------------|
| 1 | BP2-090-14-R-H | Accelnet Plus BP2 2-axis servo drive, resolver option, and factory-mounted heatsink |
| 1 | BP2-CK | BP2 Connector Kit |
| 1 | SER-CK | Serial Cable Kit |

ACCESSORIES

| | Qty | Ref | Name | Description | Manufacturer P/N |
|--------------------------------|--------|--------------|-----------|-----------------------------------------------------------------|-----------------------------------------------|
| BP2-CK Connector Kit | 1 | J11 | DC HV | Plug, 3 position, 5.08 mm, female | Wago: 231-303/107-000 (Note 1) |
| | 1 | | | Strain relief, snap-on, 5.08 mm, 3 position, orange | Wago: 232-633 |
| | 2 | J9, J10 | Motor | Plug, 4 position, 5.08 mm, female | Wago: 231-304/107-000 (Note 1) |
| | 2 | | | Strain relief, snap-on, 5.08 mm, 4 position, orange | Wago: 232-634 |
| | 1 | J9~J11 | Tool | Tool, wire insertion & extraction, 231 series | Wago: 231-159 |
| | 1 | J3 | Brake | Plug, 5 position, 3.5 mm, female | Wago: 734-105/107-000 (Note 1) |
| | 1 | | | Strain relief, snap-on, 3.5 mm, 5 position, grey | Wago: 734-605 |
| | 1 | | | Tool | Tool, wire insertion & extraction, 734 series |
| | 1 | J6 Note 2 | Safety | Connector, DB-9M, 9-position, standard, male | TE/AMP: 205204-4 |
| | 9 | | | AMPLIMITE HD-20 Crimp-Snap contacts, 24-20AWG, AU flash | TE/AMP: 66506-9 |
| | 1 | | | Metal Backshell, DB-9, RoHS | 3M: 3357-9209 |
| | 4 | | | Jumper, with pins crimped on both ends | Copley: 10-75177-01 |
| | 1 | J1 | Control | Connector, high-density DB-44M, 44 position, male, solder cup | Norcomp: 180-044-103L001 |
| | 1 | | | Metal Backshell, DB-25, RoHS | 3M: 3357-9225 |
| | 1 | J2 | I/O | Connector, high-density DB-26F, 26 position, female, solder cup | Norcomp: 180-026-203L001 |
| | 2 | J7, J8 | Feed-back | Connector, high-density DB-26M, 26 position, male, solder cup | Norcomp: 180-026-103L001 |
| | 3 | | | J2, J7, J8 | Metal Backshell, DB-15, RoHS |
| | SER-CK | 1 | J5 | RS-232 | Serial Cable Kit |
| BP2-NC-10 | 1 | J8 | Network | CAN network cable, 10 ft (3 m) | |
| BP2-NC-01 | 1 | | | CAN network cable, 1 ft (0.3 m) | |

Note 1: For RoHS compliance, append "/RN01-0000" to the Wago part numbers listed above

Note 2: Insertion/extraction tool for J6 contacts is AMP/Tyco 91067-2 (not included in BP2-CK)

16-01441 Document Revision History

| Revision | Date | Remarks |
|----------|---------------|--------------------------|
| 00 | June 13, 2018 | Initial released version |
| | | |
| | | |
| | | |

Note: Specifications subject to change without notice